



# LED TECHNOLOGY

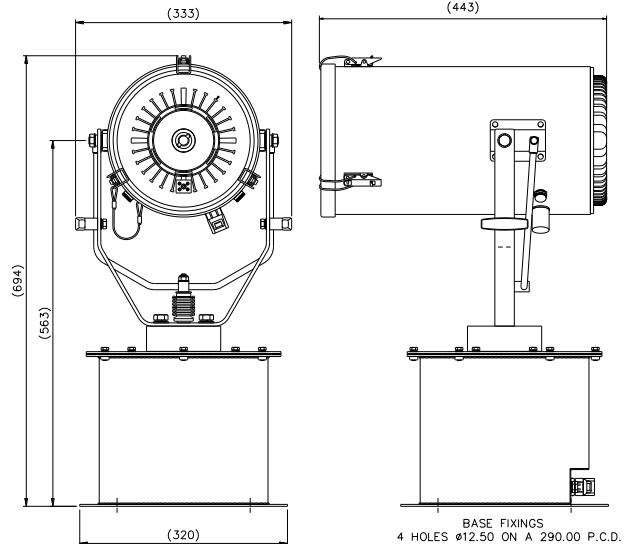
L230RC LED Issue 1  
LED 78w  
Remote Control



## APPLICATION

The new **Francis LED** searchlight range has been developed to offer an **Efficiently and Environmentally** Friendly alternative to traditional lamp sources. Using the highest grade of CREE LED, this range offers a high power output with low power consumption. In addition, the CREE XLamp Series offer a lamp life of 50,000 hours.

As with all Francis products, the construction is robust and of the highest quality. To dissipate the heat generated by the high power LED, the heat sinks are integrated into the barrel construction. The 78w LED gives illumination characteristics similar to that of a 500w halogen lamp.



Fixing details:  
4 holes 12.5 Ø equi-spaced on a 290mm PCD  
Joystick panel 120 x 120mm (106 x 106mm cutout)

## SPECIFICATION

- Constructed from stainless steel & marine grade materials
- High quality powder paint finish.
- Colour Temp options 5000k (similar to Xenon and metal halide)
- 50,000 lamp life hours
- Aluminium precision reflector
- Remote pan rotation 420° with tilt /elevation control ±40°.
- Variable speed LED joystick, with auto home position and RS485 connectivity.
- Fixed focus giving 11 degree divergence and a good spread of illumination
- Sealing to IP66.
- Variable Rotation Speed 1 to 15°/sec (Pan)
- Variable Elevation Speed 1 to 15°/sec (Tilt).
- Operational temperature -20°C
- Weight 23 kg searchlight, PSU driver under 1kg.
- 100 – 240v power supply input

L230RC LED 78w

Part No  
A7004

## Performance Data

Lamp Source	Lamp Life hrs	Luminous Flux	Range M	Divergence
78w LED	50,000	6900	690	11°



Francis Searchlights Limited  
Union Road, Bolton, BL2 2HJ, UK  
Tel 44 (0) 1204 558960 Fax 44 (0) 1204 558979  
Email [sales@francis.co.uk](mailto:sales@francis.co.uk) Web site [www.francis.co.uk](http://www.francis.co.uk)

For more information contact: