



APPLICATION

This high quality Francis luminaire is an ideal substitute where floodlights are unable to provide the throw required to highlight certain architectural features. Whether to be used as an uplight or downlight, this product has many uses in the illumination of buildings, statues, spires and garden features.

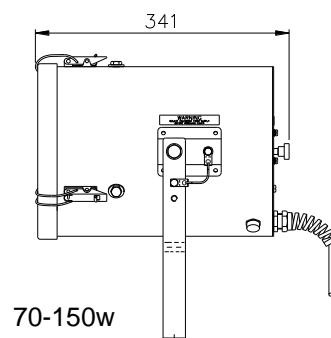
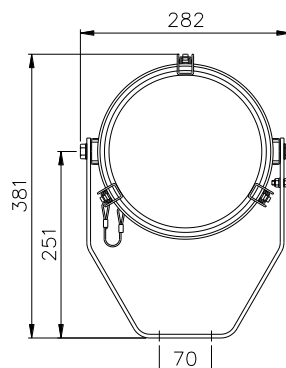
Available for use with 70w & 150w metal halide lamps, it can also be used in conjunction with a reeded glass in order to collimate the light, thus providing a uniform floodlit effect.

This new development provides a 300% increase in performance over the previous model offered and is easily maintained, having removable spill rings and ease of lamp replacement.

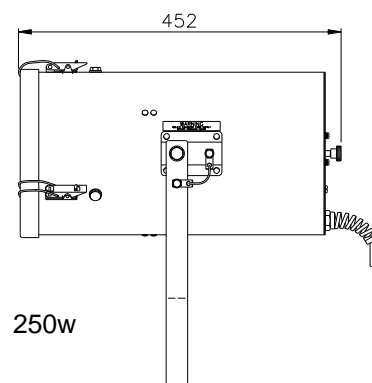
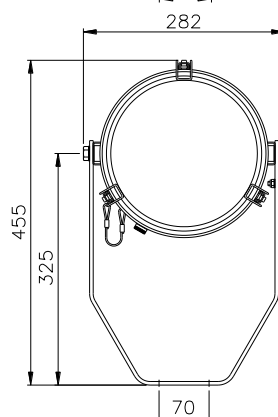
SPECIFICATION

- Toughened super clear Optiwhite front glass.
- Parabolic formed deep dish aluminum reflector.
- Constructed from marine grade materials and fixings.
- Powder coated and stove enamel paint finish.
- Spill Rings to prevent unwanted glare & stray light.
- External lamp focus adjustment.
- Sealing – IP66 Searchlight.
- Searchlight weight 8.4kgs, PSU 1Kg
- Supplied with stainless steel security bracket and safety cable.

VAC	Lamp life	Range @ 1 Lux	PBCP X 1000	Div	Watts	Lamp No
230v	15,000hrs	713m	508	4-8°	70w	D16845
230v	12,000hrs	1012m	1024	4-8°	150w	D16817
230v	12,000hrs	1437m	2065	4-8°	250w	D24512



70-150w



250w

ALL DIMENSIONS IN MILLIMETRES

Base fixing details:
Deck 3 holes Ø11.0 equi-spaced on a 154 PCD
Crutch Fixing 2 holes Ø 12.50mm at 70mm centres

Part Numbers

Type	Supply	Part No
LH230 70-150w	230v	A2918
LH230 250w	230v	A6055
Control Gear Assy 70w	230v	C23797-00
Control Gear Assy 150w	230v	C23515-00
Control Gear Assy 250w	230v 50Hz	C24534-00
Control Gear Assy 250w	230v 60Hz	C24516-00

Useful Information for 70w (based on divergence at 5°)

At 25m, provides beam diameter of 2.18m @ 813 lux
At 50m, provides beam diameter of 4.36m @ 203 lux
At 100m, provides beam diameter of 8.73m @ 51 lux

Useful Information for 150w (based on divergence at 5°)

At 25m, provides beam diameter of 2.18m @ 1639 lux
At 50m, provides beam diameter of 4.36m @ 409 lux
At 100m, provides beam diameter of 8.73m @ 102 lux

Useful Information for 250w (based on divergence at 5°)

At 25m, provides beam diameter of 2.18m @ 3304 lux
At 50m, provides beam diameter of 4.36m @ 826 lux
At 100m, provides beam diameter of 8.73m @ 207 lux

For more information contact:

Francis Searchlights Limited
Union Road, Bolton, BL2 2HJ, UK
Tel 44 (0) 1204 558960 Fax 44 (0) 1204 558979
Email sales@francis.co.uk Web site www.francis.co.uk