



**LX480 1000w Iss 4  
Xenon Manual  
Prison Grade**

### APPLICATION

The **FRANCIS LX PRISON & SECURITY** range of high Power Xenon Searchlights incorporate additional design features required to successfully operate searchlights in the most demanding product operating environments.

Francis Searchlights have redesigned and improved the LX480 still further by the use of the highest grades of materials to offer strength, reliability and resistance to attack. In addition, fitted to this product is a super high quality Precision Electroformed Nickel Reflector which is virtually indestructible (Bullet proof) and will not shatter when hit by bullets.

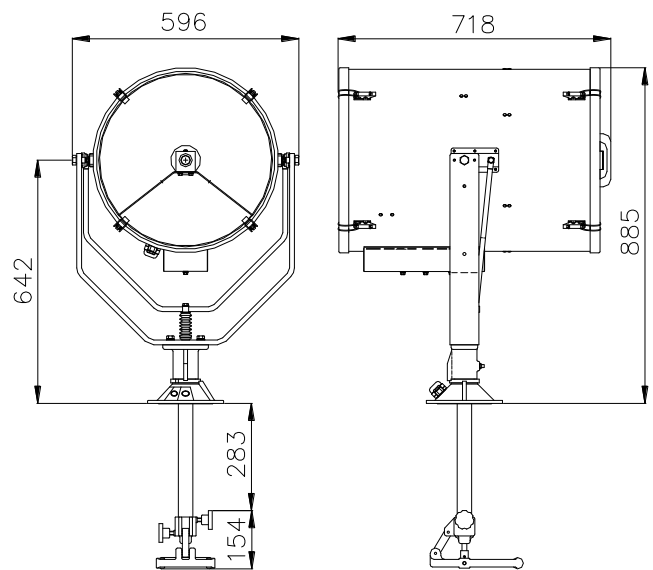
This product is the most suitable product available for Prison and Security applications. Many projects have utilized the Francis Prison range, including Camp X Ray, Camp Buka in Iraq, several other locations in the Middle East and Europe.

Naturally, Francis products are approved by many authorities, including the US and UK Army. These units have been installed at many high security and sensitive locations throughout the world and is approved by various armies including UK, US, European, and various Middle Eastern customers.

With the "colour temperature" of the Xenon lamp being equal to that of "sunlight" the searchlight is ideal for spotting dangers and threats at great distances.

### SPECIFICATION

- Immediate full lamp brilliance from switch on.
- Instant re-strike. No "cooling" down time required.
- Toughened super clear Optiwhite front glass.
- Precision electro formed nickel reflector, Bullet proof.
- Constructed from high grade materials and fixings.
- Powder coated and stove enamel paint finish.
- Deck Tilt elevation control +45° to -45°.
- Cabin Tilt elevation control +20° to -40°.
- High power xenon lamp with 3000 hrs lamp life.
- Heater fitted in gearbox & barrel.
- Operational temp -50°.
- External lamp focus, 1.5° spot to 10° flood.
- Remote Focus optional.
- Special B & C dimensions available on request.
- High quality Electronic PSU suitable for 50/60 Hz 1ph.
- Sealing - IP56 Searchlight, PSU IP56.
- Searchlight weight Deck 50kgs, Cabin 52Kgs.
- PSU weight 14kgs.



### ALL DIMENSIONS IN MILLIMETRES

Base fixing details:

Deck & Cabin 3 holes Ø11.0 equi-spaced on a 174 PCD  
Centre hole Ø52.

PSU dimensions: 430 x 330 x 217mm

### Part Numbers

Type	Supply	Part No
LX480 Deck	115v	A7088
LX480 Cabin	115v	A6025
LX480 Deck	230v	A7087
LX480 Cabin	230v	A6024
1000w Xenon Lamp		D6780

VAC	Lamp life	Range @ 1 Lux	PBCP X 1000	Div	Watts
115/230v	3000 hrs	9,500m	77,000	1.5°	1000w

**For more information contact:**

**Francis Searchlights Limited**  
 Union Road, Bolton, BL2 2HJ, UK  
 Tel 44 (0) 1204 558960 Fax 44 (0) 1204 558979  
 Email [sales@francis.co.uk](mailto:sales@francis.co.uk) Web site [www.francis.co.uk](http://www.francis.co.uk)