



APPLICATION

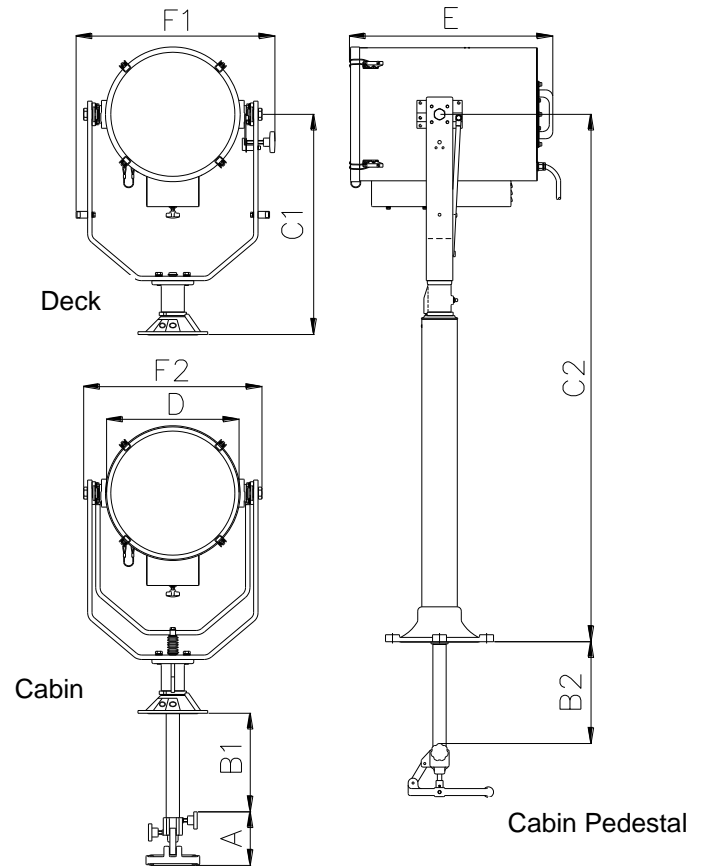
The FRANCIS FH range of searchlights incorporate the design features required to successfully operate searchlights in the most demanding product operating environments on land and sea.

These units are particularly suitable for use on patrol Craft, custom vessels and is used extensively in security applications, including border control, prisons & watch towers.

The metal halide offers a colour temperature of 6000k similar to daylight, and offers exceptional illumination, especially in polar regions and long range navigation..

SPECIFICATION

- Instant re-strike. No "cooling" down time required.
- Toughened super clear Optiwhite front glass.
- Parabolic glass reflector
- Constructed from marine grade materials and fixings
- Powder coated and stove enamel paint finish.
- Pan rotation 450°
- Deck/Deck Ped Tilt elevation control +40°, -20°.
- Cabin/Cabin Ped Tilt elevation control +30° -40°.
- Optional Heater fitted in barrel
- Operational temp -50°
- External lamp focus, 3° spot to 18° flood.
- High quality PSU 50/60 Hz 1ph
- Sealing - IP56 Searchlight, PSU IP66
- Searchlight weight Deck 52kgs
- PSU weight 30kgs.
- Luminous flux 240.000
- Colour Temperature 6,000K.



ALL DIMENSIONS IN MILLIMETRES

Base fixing details:
Deck 3 holes Ø11.0 equi-spaced on a 174 PCD

PSU dimensions: 355 x 170 x 401mm

Part Numbers

Type	Part No
FH560D Deck	A2899
FH560C Cabin	A2908
FH560CP Cabin Ped	A2910
FH560DP Deck Ped	A2909
2500w G38 Lamp	D20194

Dimensions

A	B1	B2	C1	C2	D	E	F1	F2
154	283	292	634	1710	560	738	732	688

VAC	Lamp life	Range @ 1 Lux	PBCP X 1000	Div	Watts
230v	500 hrs	11,870m	141,000	3°	2500w

Francis Searchlights Limited
 Union Road, Bolton, BL2 2HJ, UK
 Tel 44 (0) 1204 558960 Fax 44 (0) 1204 558979
 Email sales@francis.co.uk Web site www.francis.co.uk

For more information contact: