



APPLICATION

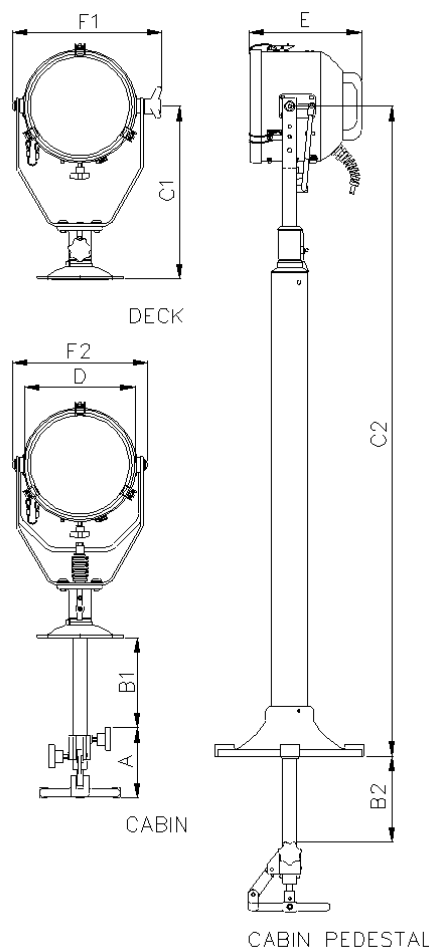
The FRANCIS FR Premium range of searchlights incorporate the design features required to successfully operate searchlights in the most demanding product operating environments on land and sea.

These units are particularly suitable for use on patrol craft, custom vessels and general marine applications.

SPECIFICATION

- Toughened super clear Optiwhite front glass.
- Parabolic glass reflector
- Constructed from marine grade materials and fixings
- Powder coated and stove enamel paint finish
- Pan rotation 450°
- Deck/Deck Ped Tilt elevation control +40° to -40°.
- Cabin/Cabin Ped Tilt elevation control +30° to -25°.
- Optional Heater fitted in barrel
- Operational temp -50°
- Tungsten halogen lamp
- Light shield to prevent unwanted glare & stray light
- External lamp focus, 2° spot to 15° flood.
- Sealing – IP66 Searchlight
- Searchlight weight Deck 9.8kgs, Deck Ped 14.9Kg, Cabin 12.20Kgs, Cabin Ped 17.10Kgs
- Special B1/2 & C2 dimensions available on request

| VAC | Lamp life | Range @ 1 Lux | PBCP X 1000 | Div | Watts | Lamp No |
|------|-----------|---------------|-------------|------|-------|---------|
| 12v | 2000 hrs | 643m | 414 | 2° | 100w | D9848 |
| 24v | 300 hrs | 784m | 614 | 2° | 150w | D14795 |
| 24v | 300 hrs | 1095m | 1200 | 2° | 250w | D9851 |
| 120v | 75 hrs | 912m | 832 | 4.9° | 300w | D16883 |
| 230v | 75 hrs | 888m | 790 | 4.9° | 300w | D16841 |



ALL DIMENSIONS IN MILLIMETRES

Base fixing details:

Deck & Cabin 3 holes Ø11.0 equi-spaced on a 154 PCD
Deck Ped & Cabin Ped 4 holes Ø14.5 equi-spaced on a 270 PCD,

Cabin & Cabin Ped Central Hole Ø40

Part Numbers

| Type | Supply | Part No |
|-------------------|----------|---------|
| FR230D Deck | 12/24v | A2808 |
| FR230C Cabin | 12/24v | A2810 |
| FR230DP Deck Ped | 12/24v | A2807 |
| FR230CP Cabin Ped | 12/24v | A2809 |
| FR230D Deck | 110/240v | A2897 |
| FR230C Cabin | 110/240v | A2902 |
| FR230DP Deck Ped | 110/240v | A2904 |
| FR230CP Cabin Ped | 110/240v | A2309 |

Dimensions

| A | B1 | B2 | C1 | C2 | D | E | F1 | F2 |
|-----|-----|-----|-----|------|-----|-----|-----|-----|
| 146 | 188 | 179 | 361 | 1355 | 230 | 235 | 311 | 281 |