



APPLICATION

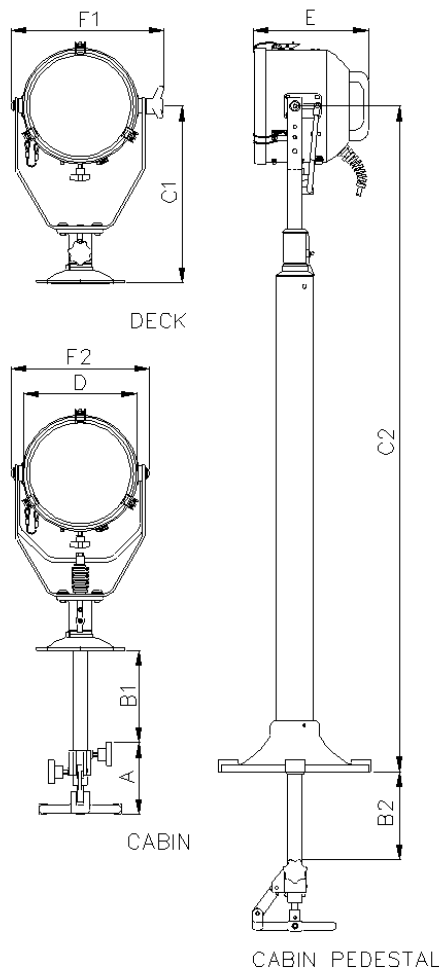
The FRANCIS FR Premium range of searchlights incorporate the design features required to successfully operate searchlights in the most demanding product operating environments on land and sea.

These units are particularly suitable for use on patrol craft, custom vessels and general marine applications.

SPECIFICATION

- Toughened super clear Optiwhite front glass.
- Parabolic glass reflector
- Constructed from marine grade materials and fixings
- Powder coated and stove enamel paint finish
- Pan rotation 450°
- Deck/Deck Ped Tilt elevation control +40° to -40°.
- Cabin/Cabin Ped Tilt elevation control +30° to -40°.
- Optional Heater fitted in barrel
- Operational temp -50°
- Tungsten halogen lamp
- Light shield to prevent unwanted glare & stray light
- External lamp focus, 2° spot to 15° flood.
- Sealing – IP66 Searchlight
- Searchlight weight Deck 12.8kgs, Deck Ped 16.40Kg, Cabin 14.60Kgs, Cabin Ped 18.60Kgs
- Special B1/2 & C2 dimensions available on request

VAC	Lamp life	Range @ 1 Lux	PBCP X 1000	Div	Watts	Lamp No
12v	2000 hrs	933m	871	3°	100w	D9848
24v	300 hrs	960m	921	3°	150w	D14795
24v	300 hrs	1342m	1800	3°	250w	D9851
120v	75 hrs	1150m	1323	4.7°	300w	D16883
230v	75 hrs	1118m	1250	4.7°	300w	D16841



ALL DIMENSIONS IN MILLIMETRES

Base fixing details:

Deck & Cabin 3 holes Ø11.0 equi-spaced on a 154 PCD
Deck Ped & Cabin Ped 4 holes Ø14.5 equi-spaced on a 270 PCD,

Cabin & Cabin Ped Central Hole Ø40

Part Numbers

Type	Supply	Part No
FR280D Deck	12/24v	A2812
FR280C Cabin	12/24v	A2814
FR280DP Deck Ped	12/24v	A2811
FR280CP Cabin Ped	12/24v	A2813
FR280D Deck	110/240v	A2898
FR280C Cabin	110/240v	A2905
FR280DP Deck Ped	110/240v	A2907
FR280CP Cabin Ped	110/240v	A2906

Dimensions

A	B1	B2	C1	C2	D	E	F1	F2
146	188	179	384	1378	280	234	360	330