

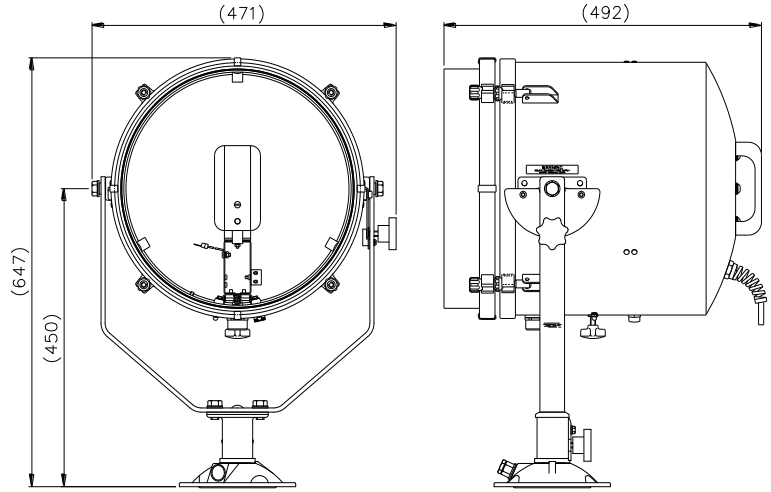


FR300BP Issue 2
Bullet Proof.
Halogen, Manual

APPLICATION

The FRANCIS FR BULLET PROOF range of searchlights incorporate the design features required to successfully operate searchlights in the most demanding and dangerous operating environments.

These searchlight fitted with a special bullet proof front glass are being used in Watch Towers, Prison and other Military security applications.



SPECIFICATION

- Bullet Proof front glass assembly
- Parabolic glass reflector
- Constructed from marine grade materials and fixings
- Powder coated and stove enamel paint finish
- Pan rotation 450°
- Deck Tilt elevation control +45° to -25°.
- Tungsten halogen lamp
- Light shield to prevent unwanted glare & stray light
- External lamp focus, 2° spot to 15° flood.
- Sealing – IP56 Searchlight
- Searchlight weight Deck 36kgs, Deck Ped 40Kg, Cabin 38Kgs, Cabin Ped 32Kgs
- Special B1/2 & C2 dimensions available on request

ALL DIMENSIONS IN MILLIMETRES

Base fixing details:

Deck & Cabin 3 holes Ø11.0 equi-spaced on a 154 PCD
 Deck Ped & Cabin Ped 4 holes Ø14.5 equi-spaced on a 270 PCD,

Cabin & Cabin Ped Central Hole Ø40

Part Numbers

Type	Supply	Part No
FR300D Deck	12/24v	
FR300C Cabin	12/24v	
FR300DP Deck Ped	12/24v	
FR300CP Cabin Ped	12/24v	
FR300D Deck	110/240v	A6087
FR300C Cabin	110/240v	A6100
FR300DP Deck Ped	110/240v	A
FR300CP Cabin Ped	110/240v	A

Volts	Lamp Life	Range @ 1 Lux	PBCP X 1000	Div	Watts	Lamp Part No
24v	300 hrs	1055m	1113	2°	150w	D14795
24v	300 hrs	1490m	2220	3°	250w	D9851
230v	750 hrs	905m	820	5°	650w	D1813
115v	750 hrs	1000m	1000	5°	1000w	D1809
230v	750 hrs	970m	940	5°	1000w	D6715

Above performance figures have been reduced by 20% from standard product due to Bullet proof glass.