

FX380 500w Xenon Searchlight Manual Operation

The FRANCIS FX range of XENON searchlights is a Premium product, incorporate the design features required to successfully operate searchlights in the most demanding product operating environments on land and sea.

The colour temperature of the Xenon lamp being equal to that of 'sunlight', make this the searchlight ideal for polar regions.

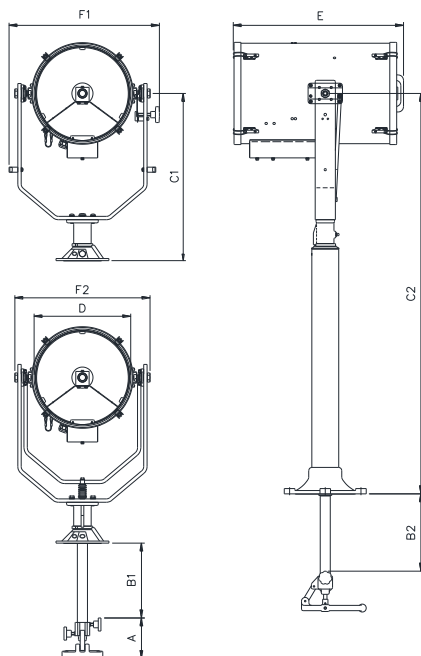
These high power searchlights are well suited to applications where long range and excellent light output are required. For marine applications assisting collision avoidance and man over board situations, and crucially saving lives.

The Francis Xenon searchlight is strong and very well manufactured, and hence is used extensively in security applications, including border control, prisons & watch towers.



Information:

- Immediate full lamp brilliance from switch on.
- Toughened super clear Optiwhite front glass.
- Parabolic glass reflector.
- Marine grade materials and fixings.
- Powder coated and stove enamel paint finish.
- Heater fitted in barrel.
- Remote Focus optional.
- Special B1/2 & C2 dimensions available on request.
- High quality Electronic PSU suitable for 50/60 Hz 1ph



Specification		
Input voltage:	115v AC	240v AC
Input current:	10A Max	5A Max
Total power consumption:	1200w Max	
Xenon power:	500w	
Range @ 1 Lux:	5290m	
PBCP x 1000:	28,000	
Divergence:	1.5° - 10°	
Lamp life (approx.)	2500h	
Colour temperature:	6000K	
Luminous flux:	14,500 lumens	
Pan rotation:	450°	
Tilt elevation Deck/Ped:	±45°	
Tilt elevation Cabin/Ped:	+20° -40°	
IP rating:	IP56	
Operating temperature:	-20°C to +50°C	
Base Fixings:		
Deck & Cabin: 3 holes Ø11.0 on a 174 PCD		
Deck Ped & Cabin Ped: 4 holes Ø12.5 on a 270 PCD		
Cabin & Cabin Ped: Ø52 Centre Hole		
PSU Fixings: 4 off M8 Holes 340 x 260mm		
Part Numbers:		
A2980 FX380D Deck 115v	A2981 FX380D Deck 240v	
A2984 FX380C Cabin 115v	A2985 FX380C Cabin 240v	
A2982 FX380DP Deck Ped 115v	A2983 FX380DP Deck Ped 240v	
A2986 FX380CP Cabin Ped 115v	A2987 FX380CP Cabin Ped 240v	
Xenon Lamp:		
D20322 500w Xenon Lamp		

Dimensions & Weights:

A	B1	B2	C1	C2	D	E	F1	F2
154	283	291	632	1513	380	644	569	516
Deck 31Kgs		Deck Ped 42Kgs		Cabin 36Kgs		Cabin Ped 62Kgs		
500w Xenon PSU weight: 14Kgs				Dimensions: 436 x 330 x 217mm				