

FX380RC Iss1. Xenon 1KW
Remote Control, Variable
Speed, Thermal IR Camera

APPLICATION

The FRANCIS FX range, with incorporated Thermal imaging camera function, is the superior range of variable speed Remote Controlled Searchlights available. The design, functionality and build quality, enable it to operate in the most demanding operating environments on land and sea. Integrated Flir Thermal camera, offering exceptional night vision capability

The Francis bus (FBUS) is a custom communication protocol based on RS485 two-wire bi directional communication hardware. The system provides a simple bi directional link between searchlights and control panels.

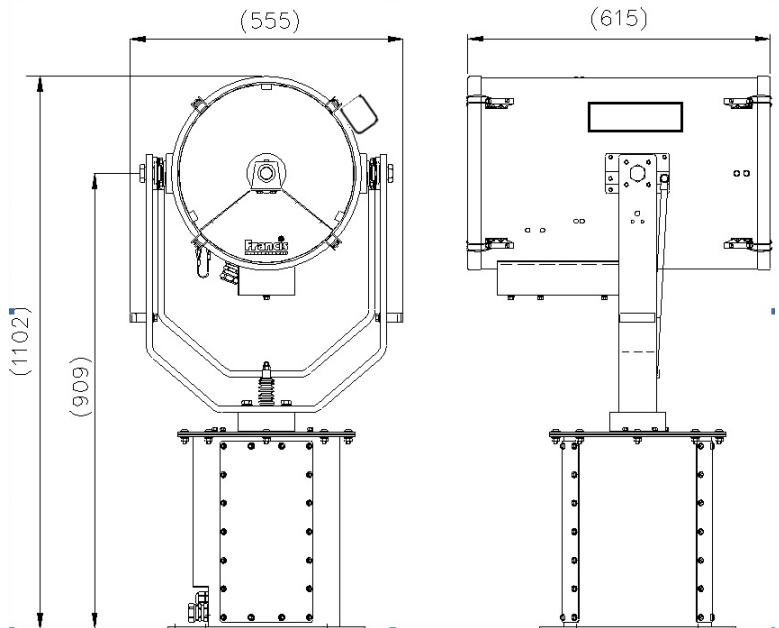
The colour temperature of the Xenon lamp being equal to that of 'sunlight', make this the searchlight ideal for polar regions.

These high power searchlights are well suited to applications where long range and excellent light output are required. For marine applications assisting collision avoidance and man over board situations, and crucially saving lives.

The Francis Xenon searchlight is strong and very well manufactured, and hence is used extensively in security applications, including border control, prisons & watch towers.

SPECIFICATION

- Instant re-strike. No "cooling" down time required.
- Toughened super clear Optiwhite front glass.
- Parabolic glass reflector
- Constructed from marine grade materials and fixings
- Powder coated and stove enamel paint finish.
- Pan rotation 385°
- Tilt elevation control +30°, -35°.
- Variable speed LED joystick, with auto home position.
- RS485 connectivity. Dimmable Control Panel.
- Variable Rotation Speed 1 to 23°/sec (Pan)
- Variable Elevation Speed 1 to 8°/sec (Tilt).
- Heater fitted in gearbox & barrel
- Operational temp -50°
- Remote lamp focus, 1.5° spot to 10° flood.
- High quality Electronic PSU suitable for 50/60 Hz 1ph
- Sealing - IP66 Gearbox, IP56 Searchlight, PSU IP56
- Searchlight weight 66kgs, PSU weight 14kgs.
- Flir Thermal camera, image resolution 336 x 256, with 14mm lens, offering exceptional night vision capability, Field of vision 16° horizontal x 13° vertical. Detection = 600m, Recognition = 150m, Identification = 80m



ALL DIMENSIONS IN MILLIMETRES

Base fixing details:

4 holes 12.5 Ø equi-spaced on a 350mm PCD
Joystick panel 120 x 120mm (106 x 106mm cutout)
PSU dimensions : 436 X 330 X 217mm

Part Numbers

Type	Supply	Watts	Part No
FX380RC	230v	1Kw	A7162S
FX380RC	115v	1Kw	A7161S
1000w Xenon Lamp			D21229

Optional Controls:

Program Record Function
Computer Control Software
Azimuth LED Control Panel
Master Control Panel (control up to 10 Searchlights)
Slave Control Panels (with full control)
Fiber Optic/TCP/IP Connections

VAC	Lamp life	Range @ 1 Lux	PBCP X 1000	Div	Watts
115/230v	2000 hrs	6700m	45,000	1.5°	1000w

Francis Searchlights Limited
Union Road, Bolton, BL2 2HJ, UK
Tel 44 (0) 1204 558960 Fax 44 (0) 1204 558979
Email sales@francis.co.uk Web site www.francis.co.uk

For more information contact: