



APPLICATION

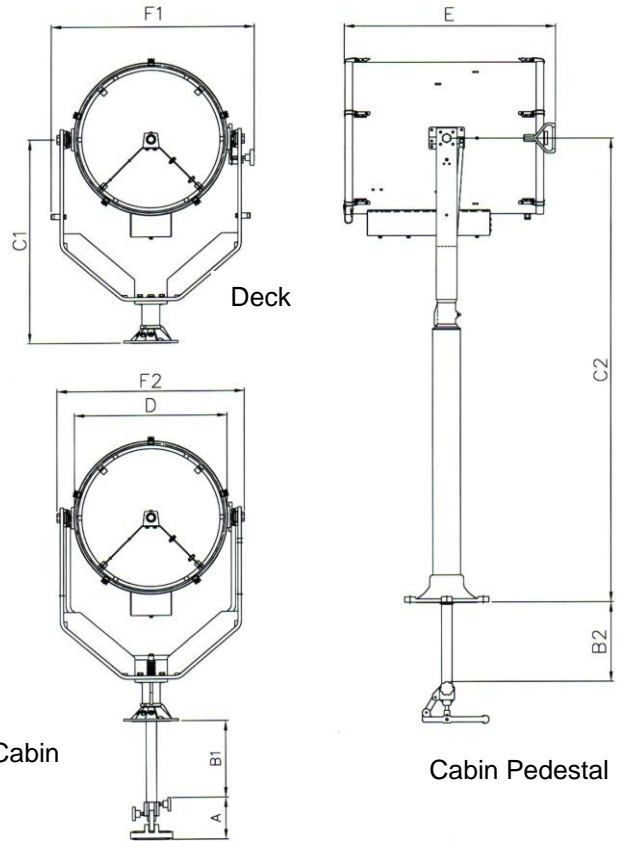
The FRANCIS FX range of XENON searchlights is a Premium product, and incorporate the design features required to successfully operate searchlights in the most demanding product operating environments on land and sea.

The colour temperature of the Xenon lamp being equal to that of 'sunlight', make this the searchlight ideal for polar regions. These high power searchlights are well suited to applications where long range and excellent light output are required. For marine applications assisting collision avoidance and man over board situations, and crucially saving lives.

The Francis Xenon searchlight is strong and very well manufactured, and hence is used extensively in security applications, including border control, prisons & watch towers.

SPECIFICATION

- Immediate full lamp brilliance from switch on.
- Toughened super clear Optiwhite front glass.
- Parabolic glass reflector.
- Constructed from marine grade materials and fixings.
- Powder coated and stove enamel paint finish.
- Pan rotation 450°.
- Deck/Deck Ped Tilt elevation control +45° to -45°.
- Cabin/Cabin Ped Tilt elevation control +20° to -40°.
- Heater fitted in barrel.
- Operational temp -50°.
- High power xenon lamp with 2200 hrs lamp life.
- External lamp focus, 1.5° spot to 10° flood.
- Remote Focus optional.
- Sealing – IP56 Searchlight, PSU IP20.
- Searchlight weight Deck 52kgs, Deck Pedestal 64kgs, Cabin 58Kgs, Cabin Pedestal 62Kgs, PSU 20kgs.
- Special B & C dimensions available on request.
- High quality Electronic PSU suitable for 50/60 Hz 1ph.



ALL DIMENSIONS IN MILLIMETRES

Base fixing details:
Deck & Cabin 3 holes Ø11.0 equi-spaced on a 174 PCD
Deck Ped & Cabin Ped 4 holes Ø12.5 equi-spaced on a 270 PCD, Centre hole Ø52.
PSU dimensions: 440 x 400 x 132.5mm

Part Numbers

Type	Supply	Part No
FX560 Deck	230v	A7079
FX560 Deck Ped	230v	A7081
FX560 Cabin	230v	A7080
FX560 Cabin Ped	230v	A7082
3000w Xenon Lamp		D24177

Dimensions

A	B1	B2	C1	C2	D	E	F1	F2
154	283	291	749	1710	560	778	746	688

VAC	Lamp life	Range @ 1 Lux	PBCP X 1000	Div	Watts
230v	2200hrs	13,251	175,000	1.5°	3000w

For more information contact: