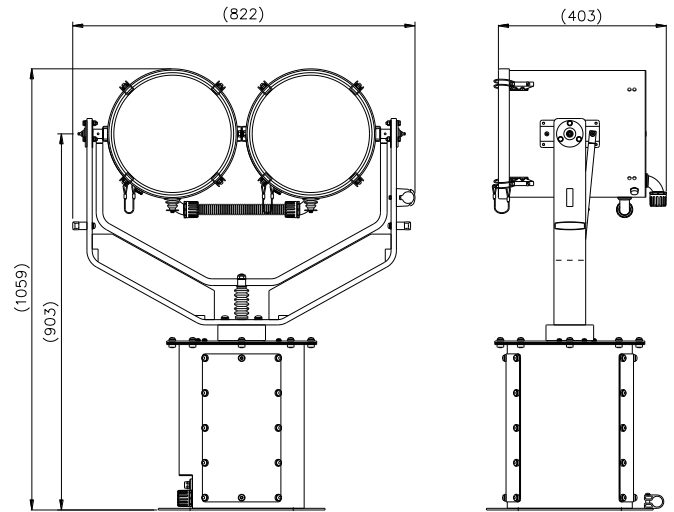




L300RC TWIN HEAD
Iss 1. Halogen / UV
Glass Remote Control



APPLICATION

The FRANCIS TWIN HEAD Range of Remote Control searchlights has been designed with the precise aim of bringing to the market, the ultimate searchlight for both navigation and search and rescue.

The L300RC has two light sources within the twin headed design, one white light and the other UV light, therefore able to identify oil spill hazards.

The quality and design of structure has been carefully developed to withstand the extraordinary conditions while in use in the harshest of environment, such as Coast Guard patrol. The heavy duty variable speed gearbox is strong, powerful and able to operate in the rough seas and high strength winds as found in coastal areas throughout the world.

These units are particularly suitable for use on patrol Craft, custom vessels and is used extensively in security applications. Francis Searchlights have developed and improved all remote controlled searchlights across the range still further by adding full variable speed, offering Bus Control, auto home position setting, all at no extra cost, with Optional Controls available on request.

SPECIFICATION

- Tungsten Halogen light source.
- Toughened super clear Optiwhite front glass.
- Parabolic formed aluminum reflector.
- Constructed from marine grade materials and fixings.
- Powder coated and stove enamel paint finish.
- Pan rotation 385°.
- Tilt elevation control +45°, -45°.
- Variable Rotation Speed 1 to 23°/sec (Pan).
- Variable Elevation Speed 1 to 8°/sec (Tilt).
- Variable speed LED joystick, with auto home position.
- RS485 connectivity, Dimmable Control Panel
- Heater fitted in gearbox & optional in barrel.
- Operational temp -50°.
- Remote lamp focus
- Sealing - IP66 Gearbox, IP66 Searchlight.
- Searchlight weight 45kgs.

ALL DIMENSIONS IN MILLIMETRES

Base fixing details:

4 holes 12.5 Ø equi-spaced on a 350mm PCD
 Joystick Panel 150 x 150mm (cutout 106 x 136mm)

Part Numbers

Type	Supply	Watts	Part No
L300RC	115/230v	650-1Kw	A7211
L300RC	24v	150-250w	A7212
UV Glass			C21849-00

Optional Controls:

Program Record Function
 Computer Control Software
 Azimuth LED Control Panel
 Master Control Panel (control up to 4 Searchlights)
 Slave Control Panels (with full control)
 Fiber Optic/TCP/IP Connections

Volts	Lamp Life	Range @ 1 Lux	PBCP X 1000	Div	Watts	Lamp Part No
24v	300 hrs	1055m	1113	2°	150w	D14795
24v	2000 hrs	1238m	1532	3°	250w	D4695
24v	300 hrs	1490m	2220	3°	250w	D9851
230v	750 hrs	905m	820	5°	650w	D1813
115v	750 hrs	1000m	1000	5°	1000w	D1809
230v	750 hrs	970m	940	5°	1000w	D6715

Francis Searchlights Limited

Union Road, Bolton, BL2 2HJ, UK Tel 44 (0) 1204 558960 Fax 44 (0) 1204 558979

Email sales@francis.co.uk Web site www.francis.co.uk