



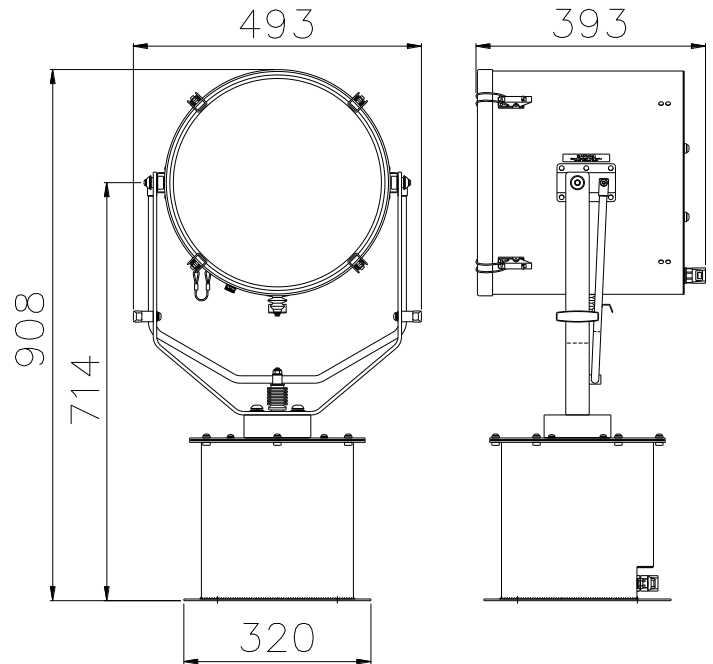
## APPLICATION

The new Francis Bus Explorer range of variable speed Remote Controlled Searchlights incorporate the design features required to successfully operate searchlights in the most demanding product operating environments on land and sea.

Francis Searchlights have developed and improved all remote controlled searchlights across the range still further by adding full variable speed, a new modern and sleek joystick control panel, using membrane and LED technology, offering Bus Control.

The Francis bus (FBUS) is a custom communication protocol based on RS485 two-wire bi directional communication hardware. The system provides a simple bi directional link between searchlights and control panels.

The L380RC is a cost effective and well made range of searchlights with external focus adjustment. These units are particularly suitable for use on patrol craft, custom vessels and general marine applications.



## ALL DIMENSIONS IN MILLIMETRES

Base fixing details:  
4 holes 12.5 Ø equi-spaced on a 290mm PCD  
Joystick panel 120 x 120mm (106 x 106mm cutout)

## Part Numbers

Type	Supply	Watts	Part No
L380RC	115/230v	650-1Kw	A7110
L380RC RF	115/230v	650-1Kw	A7111
L380RC	24v	150-250w	A7112
L380RC RF	24v	150-250w	A7113

## Optional Controls:

Program Record Function  
Computer Control Software  
Azimuth LED Control Panel  
Master Control Panel (control up to 10 Searchlights)  
Slave Control Panels (with full control)  
Fiber Optic/TCP/IP Connections

## SPECIFICATION

- Tungsten Halogen light source.
- Toughened super clear Optiwhite front glass.
- Parabolic formed aluminum reflector.
- Constructed from marine grade materials and fixings.
- Spill rings to prevent unwanted glare and stray light
- Powder coated and stove enamel paint finish.
- Pan rotation 365°.
- Tilt elevation control +35°, -40°.
- Variable speed LED joystick, with auto home position.
- RS485 connectivity. Dimmable Control Panel.
- Variable Rotation Speed 1 to 19°/sec (Pan).
- Variable Elevation Speed 1 to 6°/sec (Tilt).
- Heater fitted in gearbox & optional in barrel.
- Operational temp -50°.
- Remote focus available as an option.
- Sealing - IP67 Gearbox, IP66 Searchlight.
- Searchlight weight 31kgs.

Volts	Lamp Life	Range @ 1 Lux	PBCP X 1000	Div	Watts	Lamp Part No
24v	300 hrs	1311m	1718	2°	150w	D14795
24v	2000 hrs	1390m	1932	2.5°	250w	D4695
24v	300 hrs	1673m	2800	3°	250w	D9851
230v	750 hrs	1114m	1240	5°	650w	D1813
115v	750 hrs	1249m	1560	6°	1000w	D1809
230v	750 hrs	1210m	1465	5°	1000w	D6715

For more information contact:

Francis Searchlights Limited  
Union Road, Bolton, BL2 2HJ, UK  
Tel 44 (0) 1204 558960 Fax 44 (0) 1204 558979  
Email [sales@francis.co.uk](mailto:sales@francis.co.uk) Web site [www.francis.co.uk](http://www.francis.co.uk)