



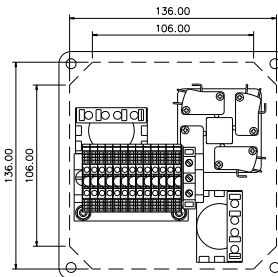
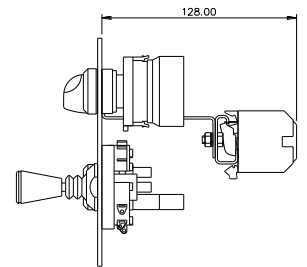
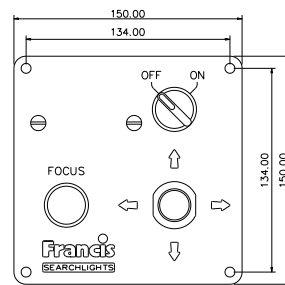
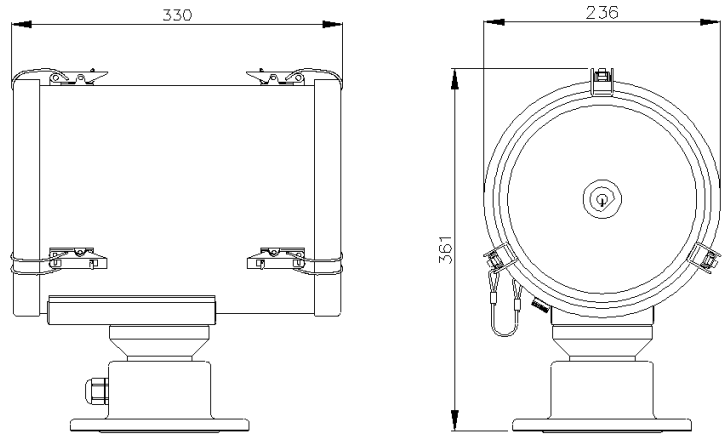
**LX230RC Issue 3**  
**Xenon 100w**  
**Remote Control. RF**

## APPLICATION

THE FRANCIS LX230 Remote Control searchlight is part of the high power Xenon range. Having been designed with the precise aim of bringing a low profile, high performing and cost effective solution to the market.

The LX230RC has been carefully developed to withstand the extraordinary conditions while in use in the harshest of environment, such as Patrol Craft, Coast Guard and any application that requires a compact, lightweight and high performer.

Within the Francis LX range of marine searchlights, the LX230, utilizes a 100w xenon lamp, and has been designed to give maximum beam range and candlepower, giving the ability to identify objects and potential dangers from a far greater distance. As an optional extra option, this unit is also available with infra-red night vision ensuring total covert surveillance.



## SPECIFICATION

- Instant re-strike. No "cooling" down time required.
- Toughened super clear Optiwhite front glass.
- Parabolic super pure Aluminium reflector.
- Constructed from marine grade materials and fixings
- Powder coated and stove enamel paint finish.
- Pan rotation 365°
- Tilt elevation control  $\pm 20^\circ$ .
- Pan Rotation Speed 24v=1 to 2°/sec, 12v= 1 to 1°/sec.
- Tilt elevation 24v 4°/sec, 12v 2°/sec
- Heater fitted in barrel.
- Economical 3000 hour lamp life.
- Operational temp  $-50^\circ$
- Sealing - IP66 Searchlight.
- Searchlight weight 10kgs,
- Integral Xenon PSU and lamp fitted as standard
- Optional infra red filter
- Peak Beam Candle Power 6.2 million
- Range 1480m @ 2 Lux
- Fixed focus giving 5° divergence

## ALL DIMENSIONS IN MILLIMETRES

Base fixing details:

3 holes 11  $\varnothing$  equi-spaced on a 154mm PCD

## Part Numbers

Type	Supply	Watts	Part No
LX230RC RF	24v	100w	A7205
LX230RC RF	220v	100w	A7206
LX230RC RF	115v	100w	A7207
100w Xenon Lamp			D25858

**Francis Searchlights Limited**  
 Union Road, Bolton, BL2 2HJ, UK  
 Tel 44 (0) 1204 558960 Fax 44 (0) 1204 558979  
 Email [sales@francis.co.uk](mailto:sales@francis.co.uk) Web site [www.francis.co.uk](http://www.francis.co.uk)