

**APPLICATION**

The FRANCIS FX range of XENON searchlights is a Premium product, and incorporate the design features required to successfully operate searchlights in the most demanding product operating environments on land and sea.

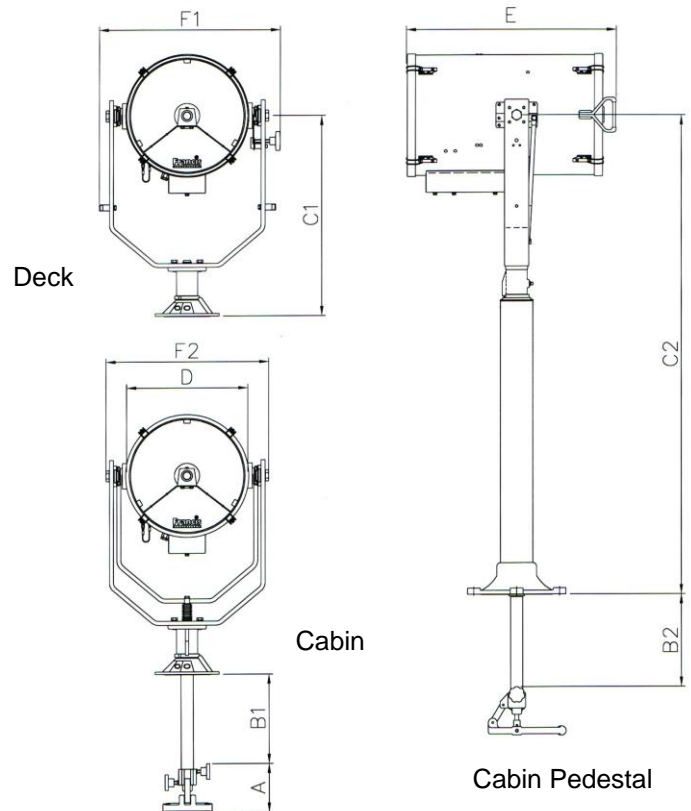
The colour temperature of the Xenon lamp being equal to that of 'sunlight', make this the searchlight ideal for polar regions.

These high power searchlights are well suited to applications where long range and excellent light output are required. For marine applications assisting collision avoidance and man over board situations, and crucially saving lives.

The Francis Xenon searchlight is strong and very well manufactured, and hence is used extensively in security applications, including border control, prisons & watch towers.

**SPECIFICATION**

- Immediate full lamp brilliance from switch on.
- Toughened super clear Optiwhite front glass.
- Parabolic glass reflector
- Constructed from marine grade materials and fixings
- Powder coated and stove enamel paint finish.
- Pan rotation 450°
- Deck/Deck Ped Tilt elevation control +45° to -45°.
- Cabin/Cabin Ped Tilt elevation control +20° to -40°
- Heater fitted in barrel
- Operational temp -50°
- High power xenon lamp with 3000 hrs lamp life
- External lamp focus, 1.5° spot to 10° flood.
- Remote Focus optional
- Sealing – IP56 Searchlight, PSU IP56
- Searchlight weight Deck 50kgs, Deck Pedestal 62kgs, Cabin 52Kgs, Cabin Pedestal 70Kgs, PSU 14kgs.
- Special B & C dimensions available on request.
- High quality Electronic PSU suitable for 50/60 Hz 1ph



**ALL DIMENSIONS IN MILLIMETRES**

Base fixing details:

Deck & Cabin 3 holes Ø11.0 equi-spaced on a 174 PCD  
Deck Ped & Cabin Ped 4 holes Ø12.5 equi-spaced on a 270 PCD, Centre hole Ø52.

PSU dimensions: 430 x 330 x 217mm

**Part Numbers**

Type	Supply	Part No
LX480 Deck	115v	A2276
LX480 Deck Ped	115v	A2278
LX480 Cabin	115v	A2281
LX480 Cabin Ped	115v	A2283
LX480 Deck	230v	A2275
LX480 Deck Ped	230v	A2277
LX480 Cabin	230v	A2279
LX480 Cabin Ped	230v	A2282
1000w Xenon Lamp		D6780

**Dimensions**

A	B1	B2	C1	C2	D	E	F1	F2
154	283	291	715	1523	480	717	692	639

VAC	Lamp life	Range @ 1 Lux	PBCP X 1000	Div	Watts
115/230v	3000hrs	8233m	67,000	1.5°	1000w

**For more information contact:**

**Francis Searchlights Limited**  
Union Road, Bolton, BL2 2HJ, UK  
Tel 44 (0) 1204 558960 Fax 44 (0) 1204 558979  
Email [sales@francis.co.uk](mailto:sales@francis.co.uk) Web site [www.francis.co.uk](http://www.francis.co.uk)