



User Instruction & Installation Manual

L300 234w RF LED Searchlight

Product Reference Number:



A6192/A6188 – 240v/24v Deck
A6193/A6189 – 240v/24v Deck Pedestal
A6194/A6190 – 240v/24v Cabin
A6195/A6191 – 240v/24v Cabin Pedestal

Manufacturer's details:

Francis Searchlights Ltd
Union Road, Bolton
Lancashire, BL2 2HJ, UK
Tel: +44 (0) 1204 558960
Fax: +44 (0) 1204 558979
<http://www.francis.co.uk>
E-mail: sales@francis.co.uk

Distributor details:

Manual Part Number: C27928
Issue: 2 14.8.19 EC1776

CONTENTS

- 1 - Introduction
- 2 - Safety Precautions
- 3 - Technical Information
- 4 - Unpacking and Installation Instructions
- 5 - Electrical Installation
- 6 - Operating Instructions
- 7 - Fault Finding
- 8 - Maintenance and Servicing
- 9 - Wiring Diagrams & General Assemblies
- 10 - Spare Parts List

1 – Introduction

It is imperative that this manual is read carefully and understood before installing your equipment. For your future reference please keep this manual in a safe place.

Thank you for specifying a product from the Francis Searchlights range. All Francis products are designed to give complete customer satisfaction and are manufactured to the highest engineering standards in order to ensure optimum performance and service life.

The Francis LED range combines features proven over many years service in the most hazardous conditions in both marine and land installations.

In order to prolong the life and performance of your product, we recommend that you only specify Francis Searchlights spare parts. This will also ensure that any warranties on your equipment will not be invalidated. Information on spares ordering and parts is provided in this manual.

Should you ever need to contact Francis Searchlights Ltd. regarding your equipment, please quote the Product Serial Number at all times.

2 - Safety Precautions

The following instructions must be adhered to, in order to ensure a safe working environment and the safety of the user.

Note: When unpacking or manoeuvring the searchlight into its fixing position, suitable lifting points must be used in order to prevent damage to the equipment or personal injury.

- The high luminance of the LED can cause severe damage to the eye if viewed directly. ALWAYS wear suitable protective goggles when viewing the LED;
- Searchlights get hot. Never touch the unit when lit and always allow 15 to 20 minutes for cooling down after turning the searchlight off;
- Never place anything on or cover the searchlight when in use;
- Ensure the LED has cooled sufficiently before removal;
- Due to the vast range of LED modules available it may appear possible that more powerful LED's can be used in the equipment than for which it was designed. Even when the unit will physically accept a higher wattage LED, this substitution is not recommended and is dangerous. This action will also void any warranties on the equipment.

3 – Technical Information

This product has been designed to operate in accordance with the product specification.
The LED 300 searchlight has the following features:

- All marine grade materials and fixings;
- Powder coated finish;
- Full 450° horizontal rotation;
- Vertical movement $\pm 40^\circ$ (Deck & Deck Pedestal);
- Vertical movement $+30^\circ$ to -25° (Cabin & Cabin Pedestal);
- Instant re-strike. No cooling down time required;
- Economical 20,000 hour LED life;
- Toughened super clear Opti white front glass;
- Precision made glass lenses;
- Remote focus facility;
- Sealing – IP56 Searchlight & Control Gear protected to IP66;
- Searchlight weight Deck 17 Kgs, Deck Pedestal 21Kgs, Cabin 20Kgs, Cabin Pedestal 24Kgs & PSU weight 4 Kgs;

The searchlight also performs to the following optical data:

- Supply voltage – 24 to 240v;
- Luminous flux 22,800;
- Colour temperature 6000K;
- Range – 1876 metres;
- Divergence – Spot 4° - Flood 10° ;
- Temperature range: -20 to +50

In order that the searchlight operates correctly it is imperative that competent personnel are responsible for the installation, operation and servicing of this equipment. Failure to adhere to this advice may cause premature failure or incorrect operation of the searchlight, which may damage the equipment or cause personal injury.

4 - Unpacking and Installation Instructions

The following instructions should be read and fully understood prior to installing the equipment to ensure that the correct procedures are followed, and all safety precautions are observed.

Note: If the equipment has been in storage for a considerable amount of time, it is advisable to conduct a routine maintenance check on all parts before installation.

Safety Precautions

This equipment should not be connected to an electrical supply before being installed. Installation procedures should be adhered to in order to ensure a safe working environment and reduce the risk of damage or personal injury.

Preparing the Mounting Position

Mark out and drill the fixing holes through the deck. If anti-vibration mounts are to be fitted, the fixing holes for the mounts should also be marked out and drilled. Prior to manoeuvring the searchlight into its' fixing position, the AV mounts should be fitted to the base. When in the desired position, bolt the searchlight firmly down.

5 - Electrical Installation

For safety purposes, only competent personnel should perform the electrical installation. All equipment should be installed to current Electrical Regulations and Standards.

In order to obtain the maximum light output from the searchlight, it is essential that the full operating voltage of the LED fitted be applied to the LED contacts.

Method of Electrical Connection

- 1) Disconnect the supply before working on the electrical system;
- 2) The searchlight must be connected to a fused electrical supply, using suitably sized cable;
- 3) If the searchlight is located a considerable distance from the supply, provision must be made in the cable size in order to overcome the voltage drop.
- 4) Whenever possible cable terminations should be made below deck and with approved terminal devices;
- 5) If a spare auxiliary fuse or circuit breaker is not available, one of the correct type/rating should be fitted and connected to a positive supply. It is advisable to locate a bus bar or main connection and avoid any direct connection to the supply;
- 6) For 110/220v AC products, the following colour coding system should be used for the customer supply cable:

Brown	- Live
Blue	- Negative
Green/Yellow	- Earth

Installation Guideline

A typical installation and connection routine for the LED 300 searchlight is as follows:

Referring to wiring diagram C27877 HV or C27879 LV, a supply is fed into the on/off control box, which then provides a common feed to the driver box & searchlight.

The following cables have been fitted as standard.

3 metres of 5 core 1.5mm cable from the control box to the driver box.

3 metres of 7 core 1.5mm cable from the searchlight to the driver box.

Cables required to be supplied by the customer: -

The Mains cable to the on/off Control box.

6 - Operating Instructions

This equipment is designed for use out of doors, in free air. Never place anything on or cover the searchlight when in use as this may present a hazard.

The searchlight can be positioned using the pan and tilt lock wheels. When in the desired position the lock wheels must be securely fastened to prevent damage.

The beam of the searchlight can be adjusted to give a variety of beam types. Using the yellow remote focus button on the Control Box, the desired beam can be achieved for any particular application. The beam will move continuously through 'spot' to 'flood'. In order to fix the beam type; simply release the button at the desired position.

Using the template provided mark out and drill the fixing holes through the deck or cabin roof. In case of cabin control models, a centre hole is also required to allow the mechanism to pass through.

On an uneven surface when bolting down the searchlight it is necessary to use a suitable sealant, such as silicone, in order to ensure weather proofed joint.

Please note that if a heater is fitted, it is advisable to leave the heater permanently in the 'ON' position in order to remove any condensation. The heater specified on this equipment is self-regulating and will shut off when the dew point temperature is reached.

This product should not be used for any purpose other than for which it was designed. Any modifications to the product should not be undertaken without consulting the manufacturer.

7- Fault Finding

All fault finding must be conducted by a competent person or qualified Electrical Engineer.

Failure of LED to light.

In the event of the LED failing to light the following steps should be taken:

- 1) Check that the mains supply is connected to the input of the LED driver and check all connections as per the wiring diagram. On operation if the LED does not light, switch off mains supply and check all fuses;

8 - Maintenance and Servicing

In order to prolong the service life and performance of your searchlight, the following maintenance guidelines are recommended:

- Maintenance checks should be conducted before every voyage or at least every three months;
- Before checking, disconnect the equipment from the supply;
- Visually inspect the condition of the equipment;
- Any major or minor structural damage should be rectified immediately in order to reduce sympathetic wear;
- After inspection it may be necessary to clean the inside of the searchlight. The following procedure should be adhered to:
 - Remove the front bezel;
 - Clean the front glass inside and out using a proprietary glass cleaner;
 - Clean the lenses if required;
- It is advisable to check all seals and gaskets for signs of degradation. Renew if necessary;
- Upon completing all maintenance requirements, the searchlight should be tested for full working order (approximately 20 minutes).
- Every six months the external movement mechanisms i.e. lockwheels, elevation and pan mechanisms, should be lightly lubricated.

If in any doubt as to the correct servicing procedures to adopt please contact your distributor/agent or the manufacturer who will be able to advise the best course of action for your product.

9 - Wiring Diagrams & General Assemblies

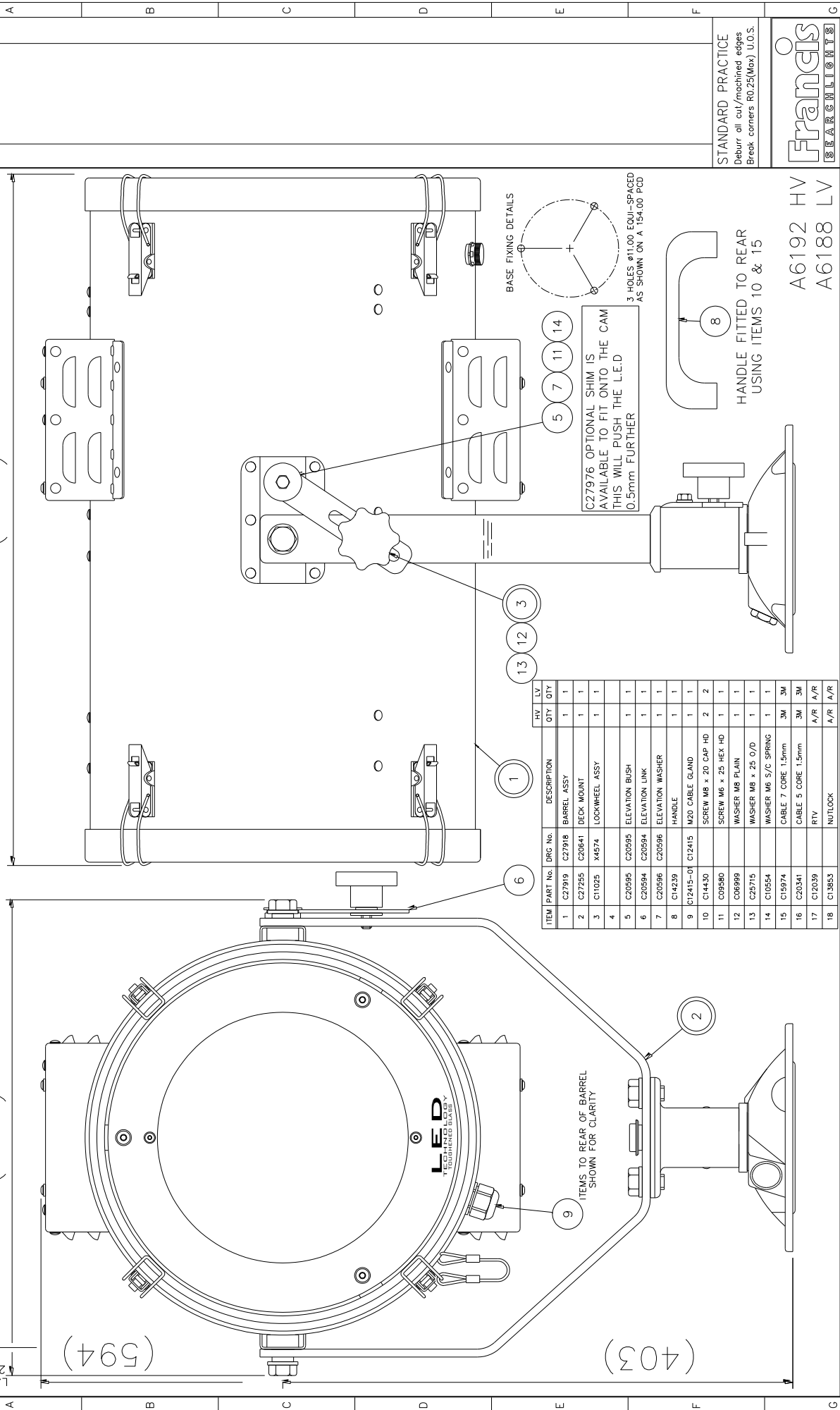
Drawing Number	Description
A6192	LED300 Deck General Assembly
A6193	LED300 Deck Pedestal General Assembly
A6194	LED300 Cabin General Assembly
A6195	LED300 Cabin Pedestal General Assembly
C27877	Wiring Diagram HV
C27879	Wiring Diagram LV
C27932	Driver Box Assembly HV
C27925	Driver Box Assembly LV
C21021	RF ON/OFF Control Unit HV
C21022	RF ON/OFF Control Unit LV

FIRST USED ON
L3000
234W

DO NOT SCALE DRAWING

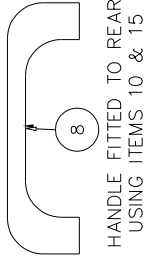
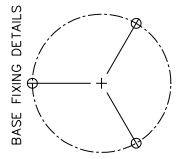
(376)

(576) (WITH HANDLE FITTED)



ITEM	PART No.	DRG No.	DESCRIPTION	REV.	LV	QTY.
1	C27919	C27918	BARREL ASSY	1	1	1
2	C27255	C20641	DECK MOUNT	1	1	1
3	C11025	X4574	LOCKWHEEL ASSY	1	1	1
4						
5	C20595	C20595	ELEVATION BUSH	1	1	1
6	C20594	C20594	ELEVATION LINK	1	1	1
7	C20596	C20596	ELEVATION WASHER	1	1	1
8	C14239		HANDLE	1	1	1
9	C12415-01	C12415	M20 CABLE GLAND	1	1	1
10	C14430		M20 CABLE GLAND	2	2	2
11	C09580		SCREW M6 x 25 HEX HD	1	1	1
12	C06999		WASHER M8 FLAN	1	1	1
13	C25715		WASHER M6 x 25 O/D	1	1	1
14	C10554		WASHER M6 5/C SPRING	1	1	1
15	C15974		CABLE 7 CORE 1.5mm	3M	3M	3M
16	C20341		CABLE 5 CORE 1.5mm	3M	3M	3M
17	C12039		RTV	A/R	A/R	A/R
18	C13653		NUTLOCK	A/R	A/R	A/R

C27976 OPTIONAL SHIM IS AVAILABLE TO FIT ONTO THE CAM THIS WILL PUSH THE L.E.D 0.5mm FURTHER



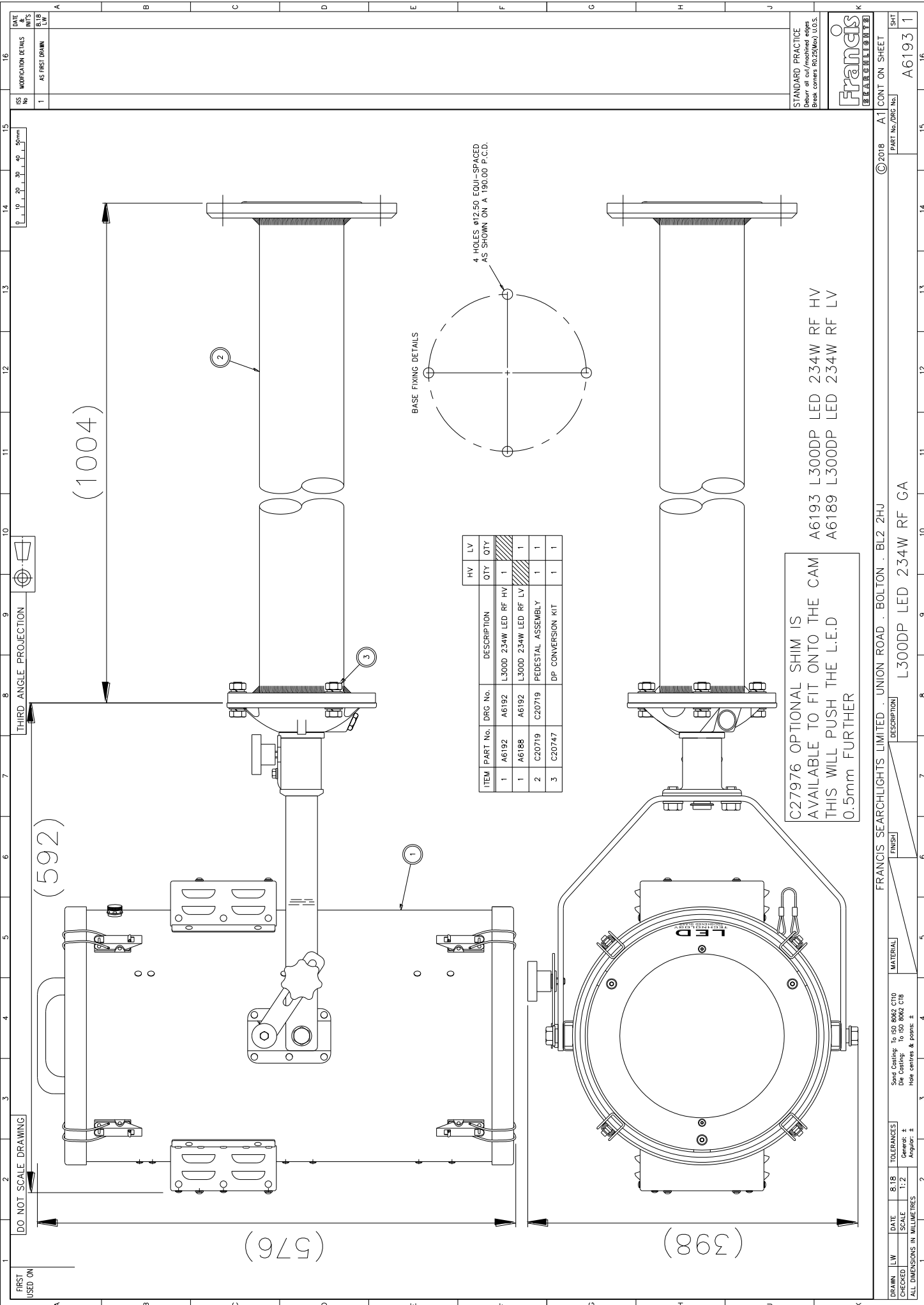
HANDLE FITTED TO REAR USING ITEMS 10 & 15

STANDARD PRACTICE
Debur all cut/machined edges
Break corners R0.25(Max) U.O.S.

Francis
SEARCHLIGHTS

A6192 HV
A6188 LV

DRAWN	LW	DATE	8.16	TOLERANCES	General: ± Angular: ±
CHECKED		SCALE	1:2	MATERIAL	
ALL DIMENSIONS IN MILLIMETRES				Hole centres & poss.: ±	
FRANCIS SEARCHLIGHTS LIMITED · UNION ROAD · BOLTON · BL2 2HJ					
DESCRIPTION				L3000 LED 234W RF G.A.	
FINISH					
PART No./DRG No.				A6192	
CONT ON SHEET				11	



ITEM	PART No.	DRG No.	DESCRIPTION	HV	LV
1	A6192	A6192	L3000 234W LED RF HV	1	
1	A6188	A6192	L3000 234W LED RF LV		1
2	C20719	C20719	PEDESTAL ASSEMBLY	1	1
3	C20747	C20747	DP CONVERSION KIT	1	1

C27976 OPTIONAL SHIM IS AVAILABLE TO FIT ONTO THE CAM THIS WILL PUSH THE L.E.D 0.5mm FURTHER

A6193 L300DP LED 234W RF HV
A6189 L300DP LED 234W RF LV

DATE	MODIFICATION DETAILS	BY	CHKD
16	AS FIRST DRAWN		

STANDARD PRACTICE
Observe all fractional values
Break corners R0.25(Min) U.O.S.



©2018	A1	CONT ON SHEET
PART No./DRG No.	A6193	1

1	2	3	4	5	6	7	8	9	10	11	12	13	14	15	16
A	B	C	D	E	F	G	H	J	K						

DO NOT SCALE DRAWING
FIRST USED ON

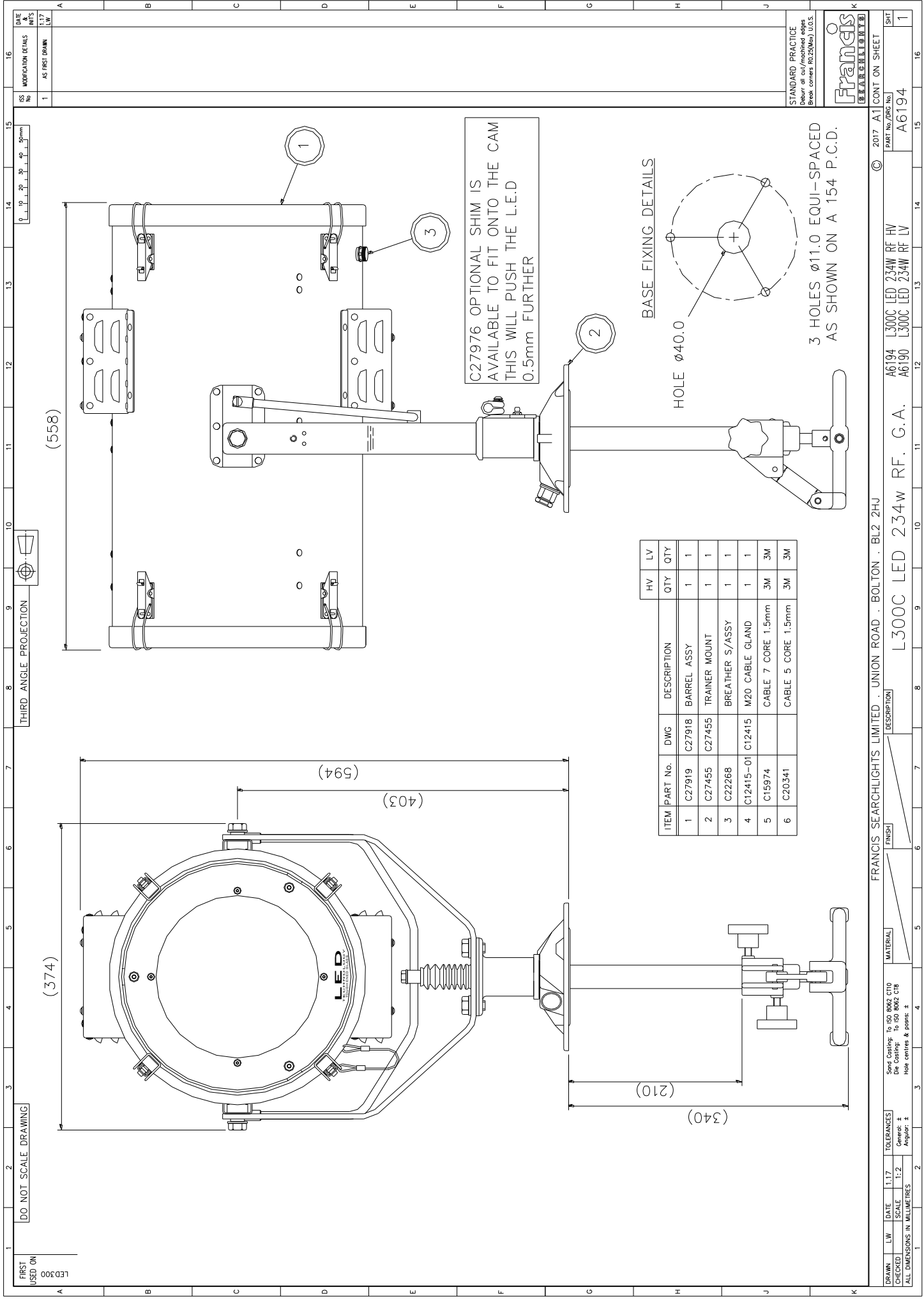
DATE: 8.18
SCALE: 1:2
TOLERANCES: General: ±
Angular: ±

Send Casting: To ISO 8062 CT10
Die Casting: To ISO 8062 CB
Hole centres & pitch: ±

FINISH: MATERIAL:

DESCRIPTION: L300DP LED 234W RF GA

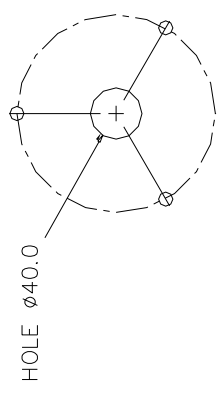
FRANCIS SEARCHLIGHTS LIMITED · UNION ROAD · BOLTON · BL2 2HJ



C27976 OPTIONAL SHIM IS AVAILABLE TO FIT ONTO THE CAM THIS WILL PUSH THE L.E.D 0.5mm FURTHER

ITEM	PART No.	DWG	DESCRIPTION	HV	LV	QTY	QTY
1	C27919	C27918	BARREL ASSY	1	1	1	1
2	C27455	C27455	TRAINER MOUNT	1	1	1	1
3	C22268		BREATHER S/ASSY	1	1	1	1
4	C12415-01	C12415	M20 CABLE GLAND	1	1	1	1
5	C15974		CABLE 7 CORE 1.5mm	3M	3M	3M	3M
6	C20341		CABLE 5 CORE 1.5mm	3M	3M	3M	3M

BASE FIXING DETAILS

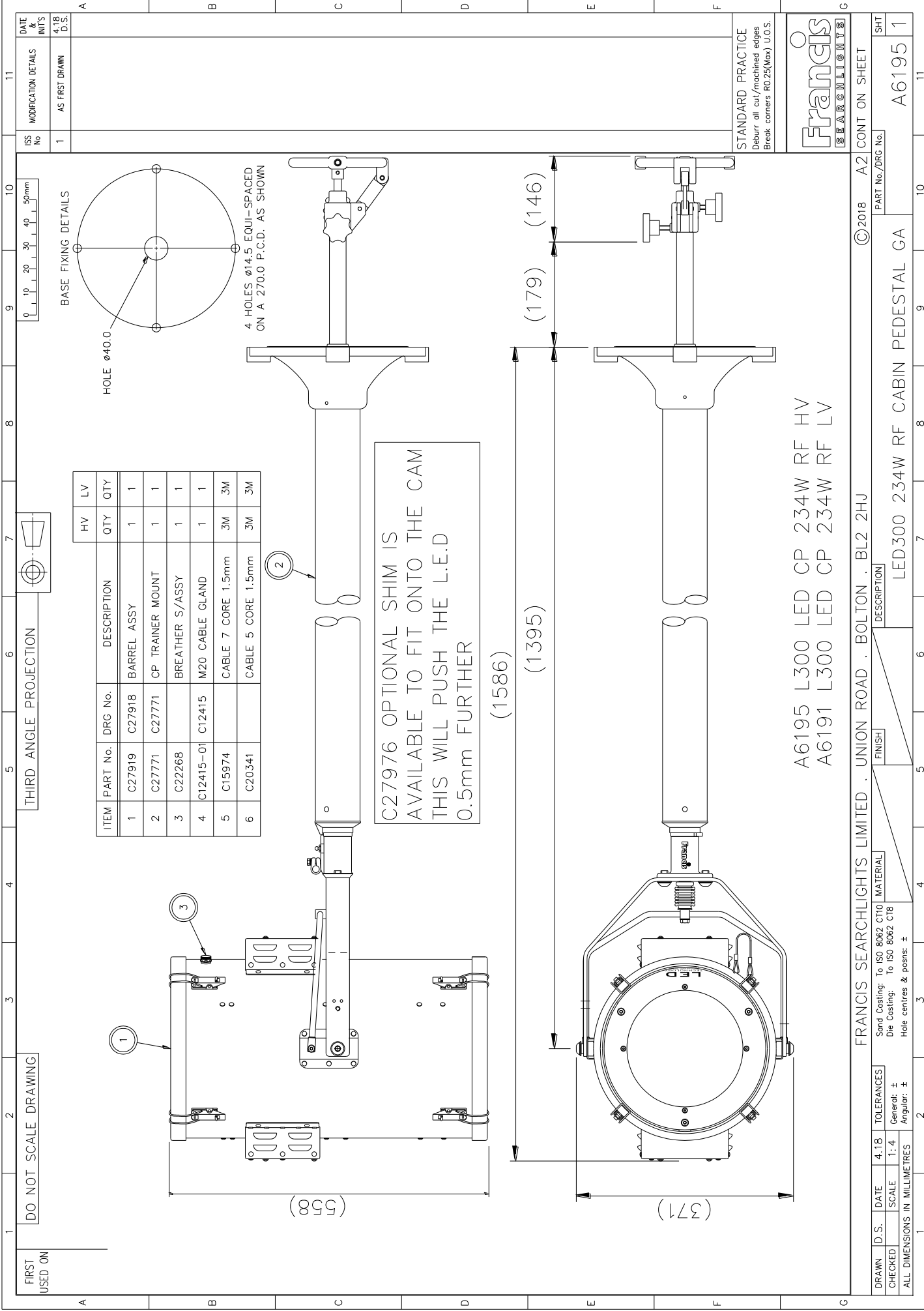


3 HOLES Ø11.0 EQUI-SPACED AS SHOWN ON A 154 P.C.D.

DATE	16
MODIFICATION DETAILS	
AS FIRST DRAWN	1

STANDARD PRACTICE	2017 A1
CONT ON SHEET	16
FRANCIS	

FIRST USED ON	LED300
DO NOT SCALE DRAWING	
THIRD ANGLE PROJECTION	
SCALE	1:2
TOLERANCES	General: ± Angular: ±
FINISH	
MATERIAL	
DESCRIPTION	L300C LED 234W RF LV
FRANCIS SEARCHLIGHTS LIMITED · UNION ROAD · BOLTON · BL2 2HU	
PART No./DRG. No.	A6194
SHEET	1



ITEM	PART No.	DRG No.	DESCRIPTION	QTY	HV	LV
1	C27919	C27918	BARREL ASSY	1	1	1
2	C27771	C27771	CP TRAINER MOUNT	1	1	1
3	C22268		BREATHER S/ASSY	1	1	1
4	C12415-01	C12415	M20 CABLE GLAND	1	1	1
5	C15974		CABLE 7 CORE 1.5mm	3M	3M	3M
6	C20341		CABLE 5 CORE 1.5mm	3M	3M	3M

C27976 OPTIONAL SHIM IS AVAILABLE TO FIT ONTO THE CAM THIS WILL PUSH THE L.E.D 0.5mm FURTHER

A6195 L300 LED CP 234W RF HV
A6191 L300 LED CP 234W RF LV

(1586)

(1395)

(179)

(146)

(558)

(371)

DRAWN	D.S.	DATE	4.18	TOLERANCES
CHECKED	SCALE	1:4	General: ±	Angular: ±
ALL DIMENSIONS IN MILLIMETRES				

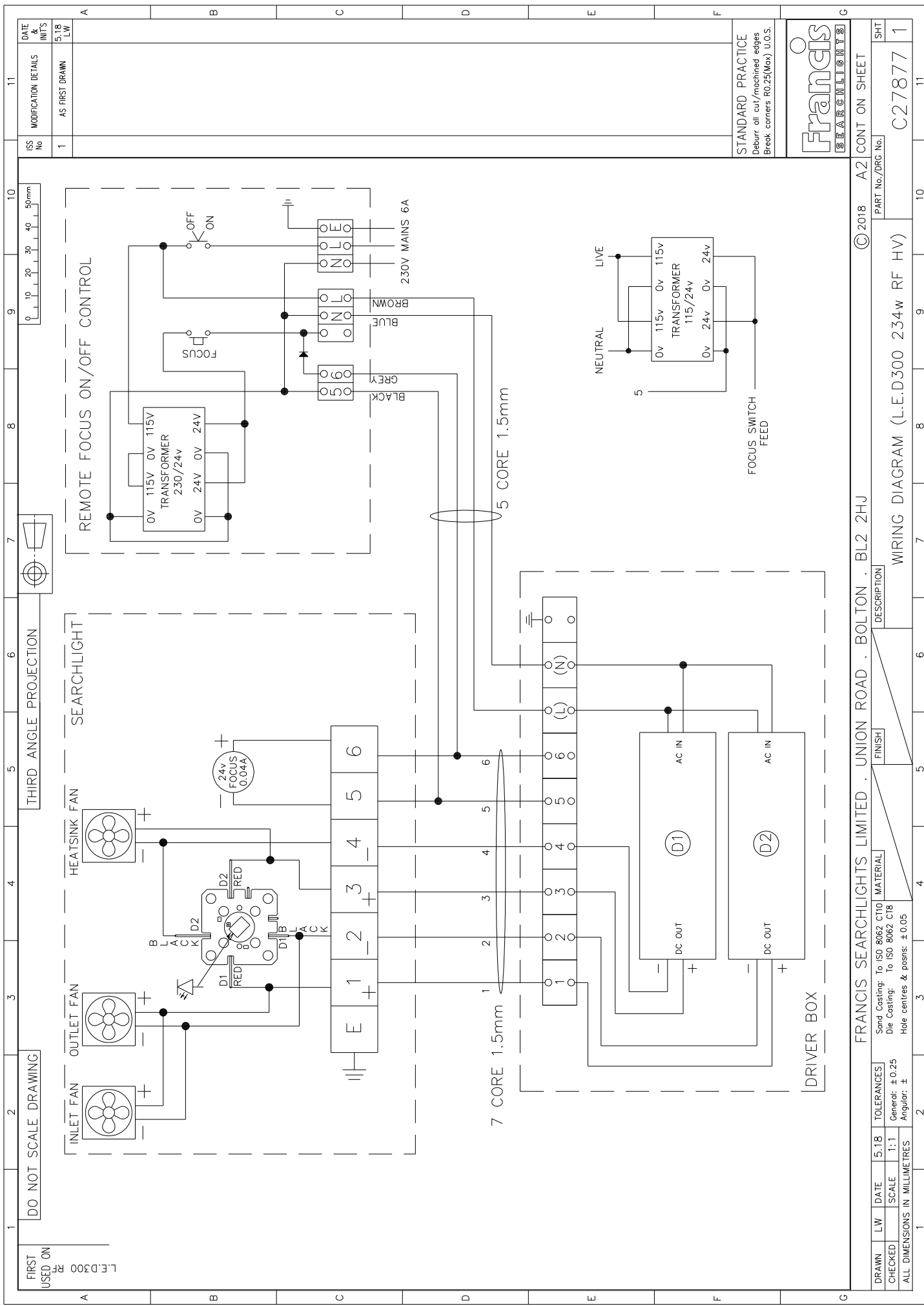
Send Casting:	To ISO 8062 CT10	MATERIAL
Die Casting:	To ISO 8062 C18	
Hole centres & posits: ±		

FINISH	DESCRIPTION
	LED300 234W RF CABIN PEDESTAL GA

FRANCIS SEARCHLIGHTS LIMITED · UNION ROAD · BOLTON · BL2 2HU

©2018 A2 CONT ON SHEET





FIRST USED ON L.E.D300 RF

DO NOT SCALE DRAWING

THIRD ANGLE PROJECTION

SCALE 1:1

DATE 5.18

MODIFICATION DETAILS AS FIRST DRAWN

ISS No 1

DATE & INITIALS 5.18 LW

STANDARD PRACTICE
Deburr all cut/machined edges
Break corners R0.25(Max) U.O.S.

Francis SEARCHLIGHTS

© 2018 A2 CONT ON SHEET

PART No./DRC No. C27877 1

DESCRIPTION WIRING DIAGRAM (L.E.D300 234w RF HV)

DRAWN	LW	DATE	5.18	TOLERANCES
CHECKED		SCALE	1:1	Generol: ±0.25
		ALL DIMENSIONS IN MILLIMETRES		Angular: ±

FRANCIS SEARCHLIGHTS LIMITED · UNION ROAD · BOLTON · BL2 2HU

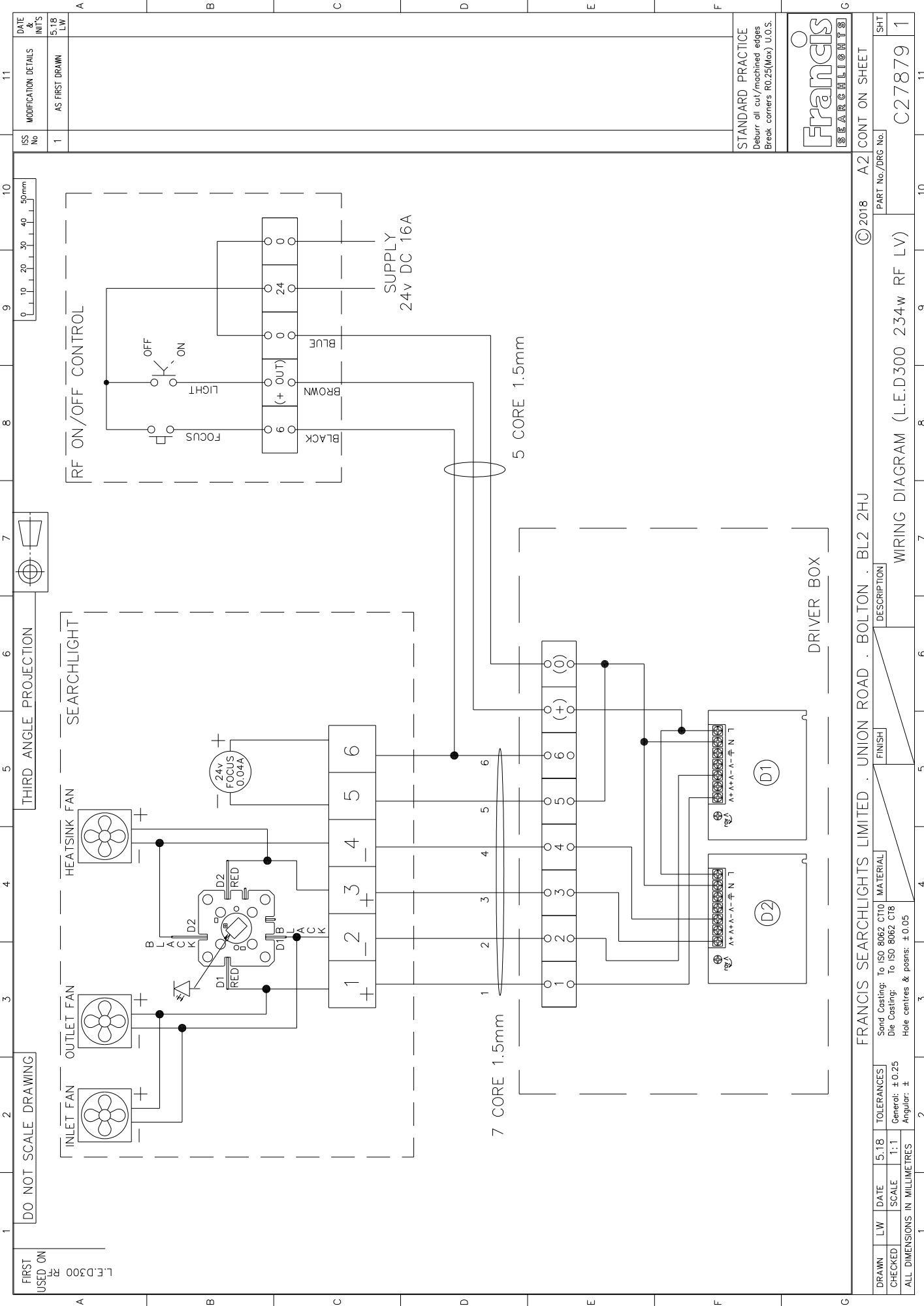
FINISH

MATERIAL

To ISO 8062 CT10 Sand Casting
To ISO 8062 CT8 Die Casting
Generol: ±0.25
Angular: ±
Hole centres & poss: ±0.05

DESCRIPTION

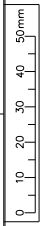
WIRING DIAGRAM (L.E.D300 234w RF HV)



FIRST USED ON
L.E.D300 RF

DO NOT SCALE DRAWING

THIRD ANGLE PROJECTION



DATE & INIT'S	MODIFICATION DETAILS	R/S No
5.18 L.W	AS FIRST DRAWN	1

STANDARD PRACTICE
Deburr all cut/machined edges
Break corners R0.25(Max) U.O.S.

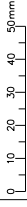


DRAWN	LW	DATE	5.18	TOLERANCES	Sand Casting: To ISO 8062 CT10	
CHECKED		SCALE	1:1	General:	±0.25	Die Casting: To ISO 8062 CT8
ALL DIMENSIONS IN MILLIMETRES				Angular:	±	Hole centres & posns: ±0.05
© 2018 A2				FRANCIS SEARCHLIGHTS LIMITED . UNION ROAD . BOLTON . BL2 2HU		
CONT ON SHEET				DESCRIPTION		
PART No./DRG No.				WIRING DIAGRAM (L.E.D300 234W RF LV)		
SHT				FINISH		
C27879 1				MATERIAL		

FIRST USED ON
LED300
A6150

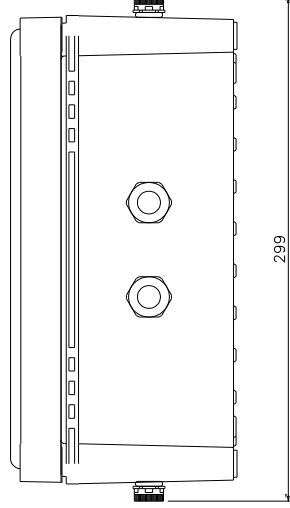
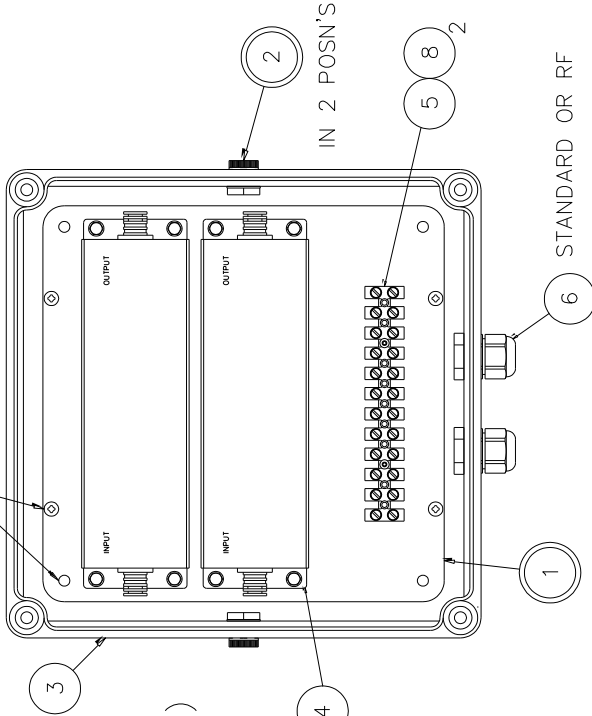
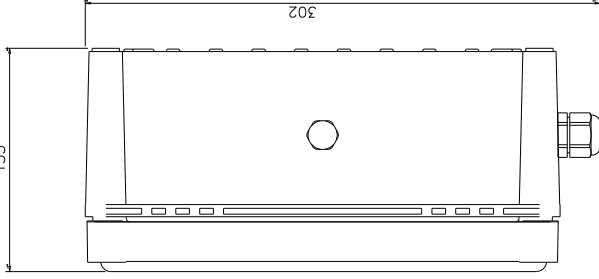
DO NOT SCALE DRAWING

THIRD ANGLE PROJECTION



OPTIONAL FIXING POSITIONS
DEPENDANT ON SCREWS SUPPLIED WITH BOX

BASE FIXINGS
254mm X 254mm (6mm HOLES)
WEIGHT - 4KGS



ITEM	PART No.	DRG No.	DESCRIPTION	QTY	RF
1	C27257	C27257	CHASSIS PLATE SUB ASSY	1	1
2	C22268		BREATHER UNIT ASSY	2	2
3	C27258	C27258	JUNCTION BOX DRILLING	1	1
4	C27231		LED DRIVER	2	2
5	C15133		TERMINAL BLOCK (32A)	1	1
6	C10158		M20 CABLE GLAND	2	X
6	C12415-01	C12415	M20 CABLE GLAND	X	1
6	C12415		M20 CABLE GLAND	1	1
7	C26955		M4 x 10 HEX HD SCREW	8	8
8	C10203		M3 x 16 BUTTON HD SCREW	2	2
9	C04376		M4 PLAIN WASHER	8	8
10	C08793		M4 S/C SPRING WASHER	8	8

ISS No	MODIFICATION DETAILS	DATE & INIT'S
1	AS FIRST DRAWN	10.16 D.S.
2	CHASSIS PLATE FIXINGS SCREWS MOVED (EC1737)	12.18 LW
3	CHASSIS PLATE CHASSIS PLATE (EC1776)	8.19 LW

STANDARD PRACTICE
Debur all cut/machined edges
Break corners R0.25(Max) U.O.S.

C27259 STANDARD
C27932 RF



© 2016 A2 CONT ON SHEET

PART No./DRG No.

DRIVER BOX ASSY (DECK)

SHT C27259 1

FRANCIS SEARCHLIGHTS LIMITED . UNION ROAD . BOLTON . BL2 2HU

DRAWN	D.S.	DATE	10.16 TOLERANCES
CHECKED	SCALE	1:2	General: ± Angular: ±
ALL DIMENSIONS IN MILLIMETRES			

FINISH DESCRIPTION

Sand Casting: To ISO 8062 C110
Die Casting: To ISO 8062 C18
Hole centres & posns: ±

11

10

9

8

7

6

5

4

3

2

1

FIRST USED ON
 CNO
 300
 300
 300

DO NOT SCALE DRAWING

BOX DIM'N 402 x 278 x 130

THIRD ANGLE PROJECTION

IN 2 POSN

IN 2 POSN



FIXINGS FOR DRIVERS
 ARE UNDER THE CHASSIS PLATE

BASE FIXINGS
 354 x 254 M6 FIXINGS

ITEM	PART No.	DRG No.	DESCRIPTION	QTY
7	C12415		M20 CABLE GLAND	1
8	C10203		M3 x 16 BTN HD SCREW	2
9	C10131		M3 x 10 BTN HD SCREW	8
10	C08028		M3 PLAIN WASHER	10
11	C10747		M3 S/C SPRING WASHER	10
12	C05298		M3 FULL NUT	2

ITEM	PART No.	DRG No.	DESCRIPTION	QTY
1	C22268		BREATHER UNIT ASSY	2
2	C27921		CHASSIS PLATE	1
3	C27923		JUNCTION BOX DRILLING	1
4	C27920		DRIVER	2
5	C15133		TERMINAL BLOCK (32A)	1
6	C12415-01		M20 CABLE GLAND	1

FRANCIS SEARCHLIGHTS LIMITED · UNION ROAD · BOLTON · BL2 2HU

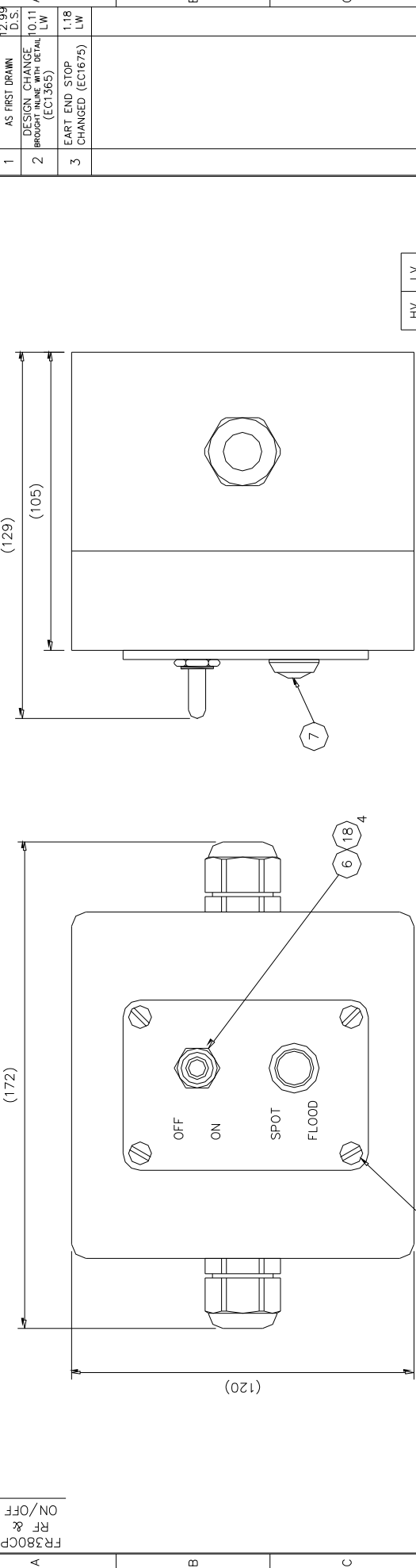
DRIVER BOX ASSY (L300D 234W LV)

DRAWN	LW	DATE	5,18	TOLERANCES	MATERIAL	FINISH	DESCRIPTION
CHECKED				General: ±0.25 Angular: ±	(MATL C27080-00)	CLEAN & DE-BURR	
Send Copying: To ISO 8662 C110 Coating: To ISO 8662 C110 Hole centres & diam: ±0.125							
ALL DIMENSIONS IN MILLIMETRES							

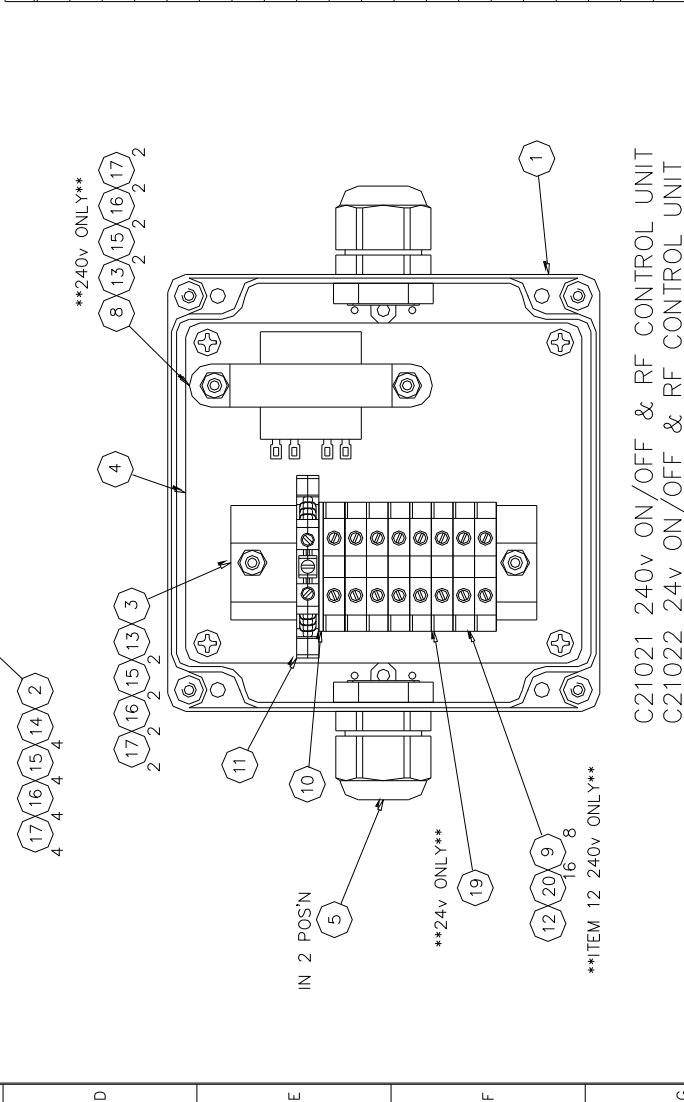
FR880CP
 USED ON
 RF &
 ON/OFF

DO NOT SCALE DRAWING

THIRD ANGLE PROJECTION



ITEM	PART No.	DRG No.	DESCRIPTION	QTY	LV
1	C20291	C20291	ENCLOSURE DRILLING	1	1
2	C15884	X4186	CONTROL PANEL	1	1
3	C20289	C20289	DIN RAIL	1	1
4	C20288	C20288	MOUNTING PLATE	1	1
5	C10158		GLAND	2	2
6	C15792		SELECTOR SWITCH	1	1
7	C24135		PUSH BUTTON	1	1
8	C16488		TRANSFORMER	1	1
9	C14400		TERMINAL	8	8
10	C14139		END COVER	1	1
11	C14379		EARTH TERMINAL	1	1
12	C16854		DIODE	1	1
13	C10204		SCREW M4 x 8 PN HD	4	2
14	C06529		SCREW M4 x 10 CSK HD	4	4
15	C08793		WASHER M4 S/C SPRING	8	6
16	C04376		WASHER M4 PLAIN	8	6
17	C06266		NUT M4 FULL	8	6
18	C15828		RED SHROUDED RECEPTACLE	4	4
19	C15627		RESISTOR	1	1
20	C15411		TERMINAL MARKER	16	16



C21021 240v ON/OFF & RF CONTROL UNIT
 C21022 24v ON/OFF & RF CONTROL UNIT

FRANCIS SEARCHLIGHTS LIMITED · UNION ROAD · BOLTON · BL2 2HU

Standard Casting: To ISO 8062 CT10 MATERIAL
 Die Casting: To ISO 8062 CT8
 Hole centres & posns: ±

FINISH

DRAWN D.S. DATE 12.99 TOLERANCES
 CHECKED SCALE 1:1 General: ±
 ALL DIMENSIONS IN MILLIMETRES Angular: ±

DESCRIPTION
 240v & 24v RF ON/OFF CONTROL UNIT

© 1999 A2 CONT ON SHEET
 PART No./DRG No. C21022 1

DATE & UNITS	MODIFICATION DETAILS	ISS No
12.99 D.S.	AS FIRST DRAWN	1
10.11 D.S.	DESIGN CHANGE APPROVED BY DETAIL LW (EC1365)	2
1.18 LW	EART END STOP CHANGED (EC1675)	3

STANDARD PRACTICE
 Deburr all cut/machined edges
 Break corners R0.25(Max) U.O.S.

Francis
 SEARCHLIGHTS

10 – Spare Parts List

The following spare parts can be ordered directly from the manufacturer:

Part Number	Description
Searchlight	
C27229-01	LED Replacement Kit
C27230-00	LED Adapter
C27224-00	Front Glass
C20567-00	Front Glass Gasket
C22268-01	Breather Assembly
C27820-00	Fan (Top & Bottom Vents)
C27875-00	Fan (Heatsink)
C16410-00	Focus Motor
C16534-00	Focus Motor Cover
C27143-00	Lens Ø200mm
C27144-00	Lens Ø180mm
C27145-00	Lens Ø114mm
C27146-00	Lens Ø77mm
C27147-00	Lens Ø74mm
C11025-01	Pan & Tilt Lock Wheel Assembly (Deck & Deck Pedestal))
C11026-01	Pan & Tilt Lock Wheel Assembly (Cabin & Cabin Pedestal)
C10168-00	Base 'O' Ring (Deck & Cabin)
C10169-00	Spigot 'O' Ring (Deck & Cabin)
C21967-00	Bellows Bottom Bush 'O' Ring
C22072-00	Push Rod Seal Washer
C20634-00	Pedestal Base 'O' Ring (Deck Pedestal)
C10170-00	Pedestal Base 'O' Ring (Cabin Pedestal)
C20281-00	Bellows (Cabin & Cabin Pedestal)
Driver Box	
C27231-00	LED Driver HV (2 Used)
C27920-00	LED Driver LV (2 Used)
Control Unit	
C25792-00	On/Off Selector Switch
C24135-00	Focus Pushbutton
C16488-00	Transformer (HV)

In order to prolong the life and performance of your product, we recommend that you only specify Francis Searchlights spare parts. This will ensure that any warranties on your equipment will not be invalidated.

When ordering spare parts please contact the Sales Department at Francis Searchlights Limited. Please quote searchlight model and serial number at all times. This will enable a fast response to your spares' requirements.