



APPLICATION

The FRANCIS FH range of searchlights incorporate the design features required to successfully operate searchlights in the most demanding product operating environments on land and sea.

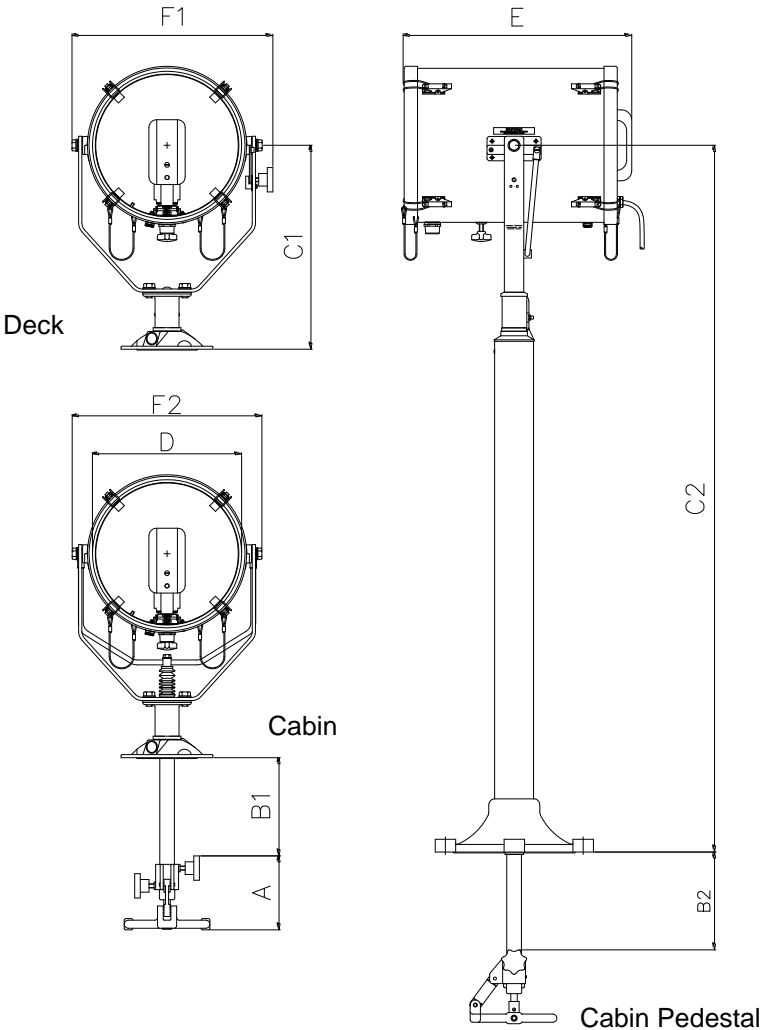
These units are particularly suitable for use on patrol Craft, custom vessels and is used extensively in security applications, including border control, prisons & watch towers.

The metal halide offers a colour temperature of 6000k similar to daylight, and offers exceptional illumination, especially in polar regions and long range navigation.

SPECIFICATION

- Instant re-strike. No "cooling" down time required.
- Toughened super clear Optiwhite front glass.
- Parabolic glass reflector
- Constructed from marine grade materials and fixings
- Powder coated and stove enamel paint finish.
- Pan rotation 450°
- Tilt elevation control +35°, -25°.
- Optional Heater fitted in barrel
- Operational temp -50°
- External lamp focus, 2.5° spot to 15° flood.
- High quality control gear 50/60 Hz 1ph
- Sealing - IP56 Searchlight, PSU IP66
- Searchlight weight Deck 17kgs, Deck Ped 21Kg, Cabin 19Kgs, Cabin Ped 23Kgs
- PSU weight 10kgs.
- Special B1/2 & C2 dimensions available on request
- Luminous flux 49,000
- Colour Temperature 6,000K.

| VAC | Lamp life | Range @ 1 Lux | PBCP X 1000 | Div | Watts |
|------|-----------|---------------|-------------|------|-------|
| 230v | 1000hrs | 3685m | 13,600 | 2.5° | 575w |



ALL DIMENSIONS IN MILLIMETRES

Base fixing details:
Deck & Cabin 3 holes Ø11.0 equi-spaced on a 154 PCD
Deck Ped & Cabin Ped 4 holes Ø14.5 equi-spaced on a 270 PCD,
Cabin & Cabin Ped Central Hole Ø40

PSU dimensions: 280 x 190 x 182mm

Part Numbers

| Type | Part No |
|-------------------|---------|
| FH300D Deck | A2876 |
| FH300C Cabin | A2877 |
| FH300DP Deck Ped | A2878 |
| FH300CP Cabin Ped | A2879 |
| 575w G22 Lamp | D15764 |

Dimensions

| A | B1 | B2 | C1 | C2 | D | E | F1 | F2 |
|-----|-----|-----|-----|------|-----|-----|-----|-----|
| 146 | 195 | 188 | 403 | 1395 | 300 | 448 | 395 | 374 |