



**OIL SPILL DETECTION**

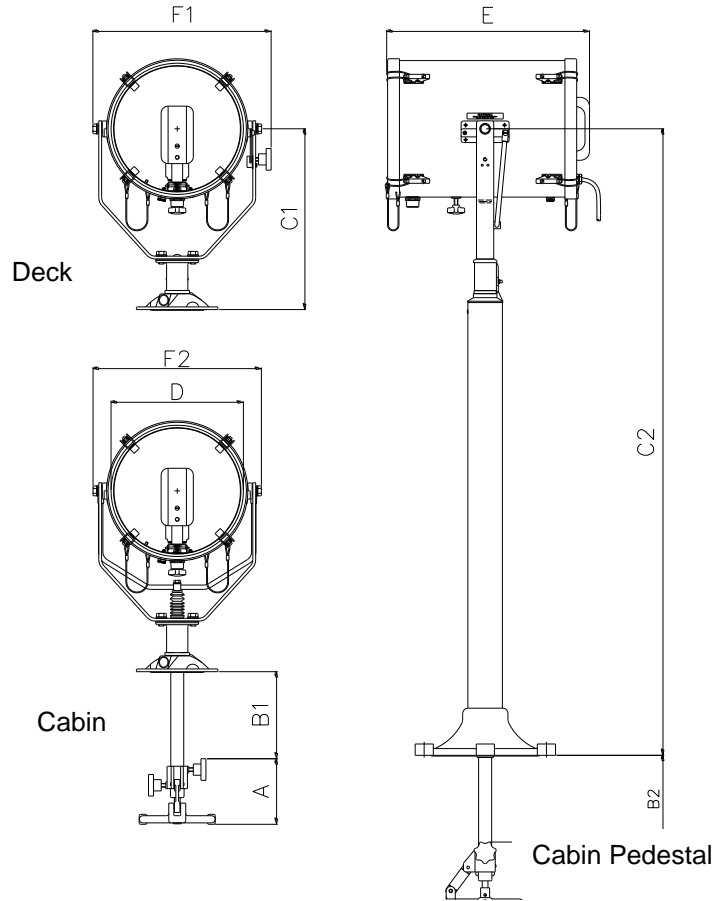
**APPLICATION**

The FRANCIS FH range of searchlights incorporate the design features required to successfully operate searchlights in the most demanding product operating environments on land and sea.

The FRANCIS FH oil spill range of searchlights has been developed to meet the ever increasing demands on Environment control. The significant cleanup costs of oil spill makes this unit invaluable. The unit can be utilized on either land or sea and hence the rugged construction will meet any clients specific needs.

**SPECIFICATION**

- Instant re-strike. No “cooling” down time required.
- Parabolic glass reflector
- Constructed from marine grade materials and fixings
- Powder coated and stove enamel paint finish.
- Pan rotation 450°
- Tilt elevation control +35°, -25°.
- Optional Heater fitted in barrel
- Operational temp -50°
- External lamp focus, 2.5° spot to 15° flood.
- High quality control gear 50/60 Hz 1ph
- Sealing - IP56 Searchlight, PSU IP66
- Searchlight weight Deck 17kgs, Deck Ped 21Kg, Cabin 19Kgs, Cabin Ped 23Kgs
- PSU weight 10kgs.
- Special B1/2 & C2 dimensions available on request
- Luminous flux 49,000
- Colour Temperature 6,000K.
- Special ultra violet (black) front glass.



**ALL DIMENSIONS IN MILLIMETRES**

Base fixing details:  
Deck & Cabin 3 holes Ø11.0 equi-spaced on a 154 PCD  
Deck Ped & Cabin Ped 4 holes Ø14.5 equi-spaced on a 270 PCD,  
Cabin & Cabin Ped Central Hole Ø40

PSU dimensions: 280 x 190 x 182mm

**Part Numbers**

Type	Part No
FH300D Deck	A2599
FH300C Cabin	A2601
FH300DP Deck Ped	A2603
FH300CP Cabin Ped	A2605
575w G22 Lamp D15764	

**Dimensions**

A	B1	B2	C1	C2	D	E	F1	F2
146	195	188	403	1395	300	448	395	374

VAC	Lamp life	Range @ 1 Lux	PBCP X 1000	Div	Watts
230v	1000hrs	3685m	13,600	2.5°	575w