



FH300RC TWIN HEAD
 Iss 5. Metal Halide / UV
 Glass Remote Control
 Variable Speed



APPLICATION

The FRANCIS TWIN HEAD Range of Remote Control searchlights has been designed with the precise aim of bringing to the market, the ultimate searchlight for both navigation and search and rescue.

The FH300RC has two light sources within the twin headed design, one white light and the other UV light, therefore able to identify oil spill hazards.

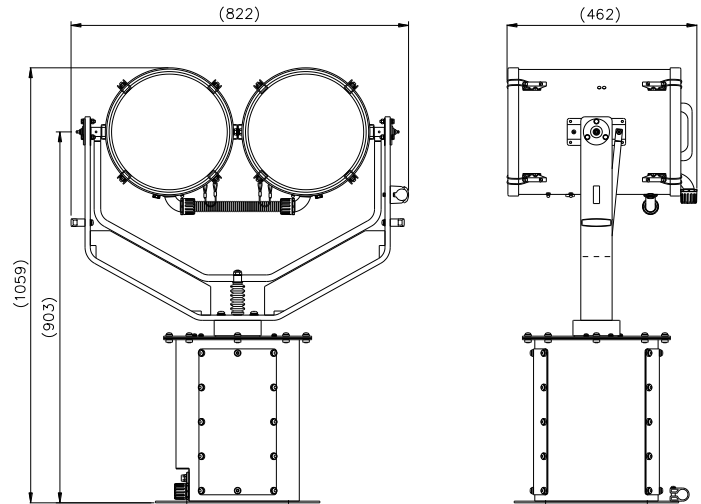
The quality and design of structure has been carefully developed to withstand the extraordinary conditions while in use in the harshest of environment, such as Coast Guard patrol. The heavy duty variable speed gearbox is strong, powerful and able to operate in the rough seas and high strength winds as found in coastal areas throughout the world.

These units are particularly suitable for use on patrol Craft, custom vessels and is used extensively in security applications. The metal halide offers a colour temperature of 6000k similar to daylight, and offers exceptional illumination, especially in polar regions and long range navigation.

Francis Searchlights have developed and improved all remote controlled searchlights across the range still further by adding full variable speed, offering Bus Control, auto home position setting, all at no extra cost, with Optional Controls available on request.

SPECIFICATION

- Instant re-strike. No "cooling" down time required.
- Toughened super clear Optiwhite front glass.
- Parabolic glass reflector.
- Constructed from marine grade materials and fixings.
- Powder coated and stove enamel paint finish.
- Pan rotation 385°.
- Tilt elevation control +45°, -45°.
- Variable Rotation Speed 1 to 23°/sec (Pan)
- Variable Elevation Speed 1 to 8°/sec (Tilt).
- Variable speed LED joystick, with auto home position.
- RS485 connectivity, Dimmable Control Panel
- Heater fitted in gearbox & barrel standard.
- Operational temp -50°.
- Remote lamp focus, 2.5° spot to 10° flood.
- High quality PSU 50/60 Hz 1ph.
- Sealing - IP66 Gearbox, IP66 Searchlight, PSU IP66.
- Searchlight weight 75kgs. PSU weight 9.5kgs. each.



ALL DIMENSIONS IN MILLIMETRES

Base fixing details:
 4 holes 12.5 Ø equi-spaced on a 350mm PCD
 Joystick Panel 150 x 150mm (cutout 106 x 136mm)
 PSU dimensions: 280 x 190 x 182mm (each)

Part Numbers

Type	Supply	Watts	Part No
FH300RC	230v	575w	A7209
		575w G22 Lamp	D15764

Optional Controls:

- Program Record Function
- Computer Control Software
- Azimuth LED Control Panel
- Master Control Panel (control up to 4 Searchlights)
- Slave Control Panels (with full control)
- Fiber Optic/TCP/IP Connections

VAC	Lamp life	Range @ 2 Lux	PBCP X 1000	Div	Watts
230v	1000 hrs	3685m	36,500	2.5°	2 x 575w