



**FH380 Issue 7
Metal Halide – 1200 w
Manual Control**

APPLICATION

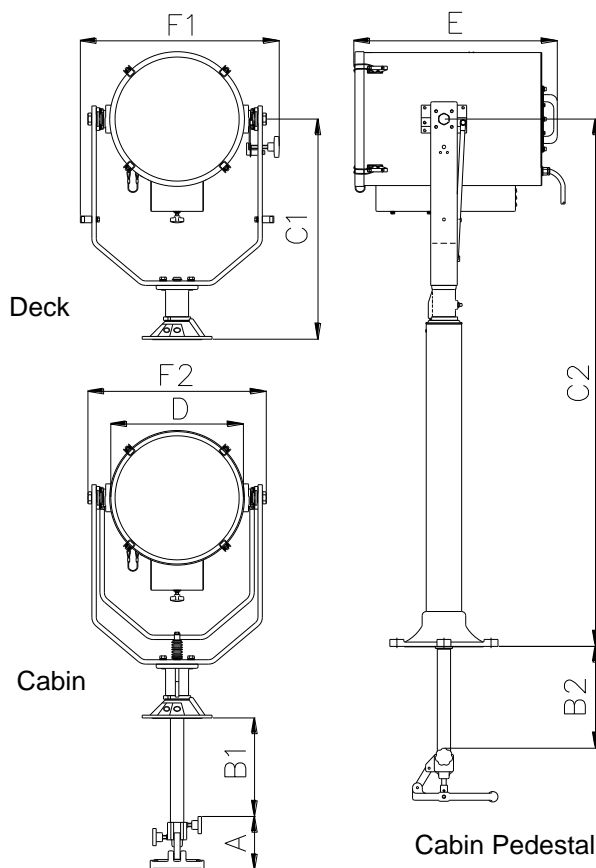
The FRANCIS FH range of searchlights incorporate the design features required to successfully operate searchlights in the most demanding product operating environments on land and sea.

The Francis Metal Halide searchlight is strong and very well manufactured, and hence is used extensively in security applications, including border control, prisons & watch towers.

The metal halide offers a colour temperature of 6000k similar to daylight, and offers exceptional illumination, especially in polar regions and long range navigation.

SPECIFICATION

- Instant re-strike. No "cooling" down time required.
- Toughened super clear Optiwhite front glass.
- Parabolic glass reflector
- Constructed from marine grade materials and fixings
- Powder coated and stove enamel paint finish.
- Pan rotation 450°
- Deck/Deck Ped Tilt elevation control +40°, -40°.
- Cabin/Cabin Ped Tilt elevation control +30° -40°.
- Optional Heater fitted in barrel
- Operational temp -50°
- External lamp focus, 2° spot to 18° flood.
- High quality PSU 50/60 Hz 1ph
- Sealing - IP56 Searchlight, PSU IP66
- Searchlight weight Deck 33kgs, Deck Ped 37Kg, Cabin 35Kgs, Cabin Ped 39Kgs
- PSU weight 23kgs.
- Special B1/2 & C2 dimensions available on request
- Luminous flux 110.000
- Colour Temperature 6,000K.



ALL DIMENSIONS IN MILLIMETRES

Base fixing details:

Deck & Cabin 3 holes Ø11.0 equi-spaced on a 174 PCD
Deck Ped & Cabin Ped 4 holes Ø12.5 equi-spaced on a 270 PCD,

Cabin & Cabin Ped Central Hole Ø53

PSU dimensions: 380 x 325 x 217mm

Part Numbers

Type	Part No
FH380D Deck	A2872
FH380C Cabin	A2873
FH380DP Deck Ped	A2874
FH380CP Cabin Ped	A2875
1200w G38 Lamp	D15746

Dimensions

A	B1	B2	C1	C2	D	E	F1	F2
154	283	291	633	1513	380	584	571	512

VAC	Lamp life	Range @ 1 Lux	PBCP X 1000	Div	Watts
230v	1000 hrs	5805m	33,700	2°	1200w