

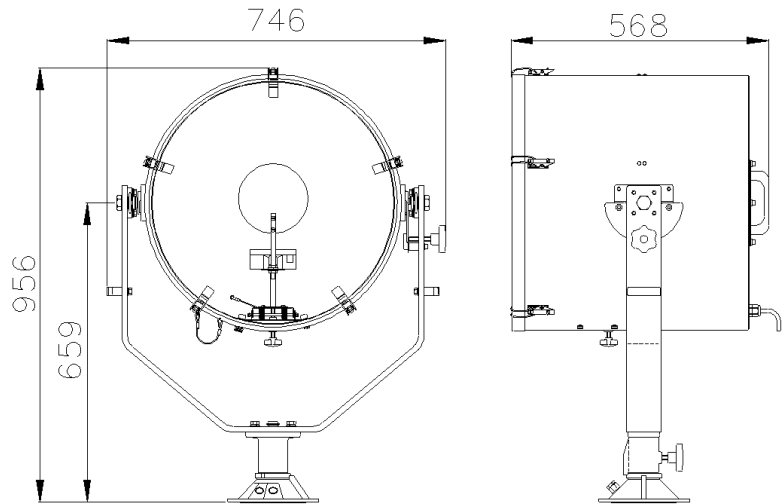


APPLICATION

The FRANCIS FH range of searchlights incorporate the design features required to successfully operate searchlights in the most demanding product operating environments on land and sea.

These units are particularly suitable for use on patrol Craft, custom vessels and is used extensively in security applications, including border control, prisons & watch towers.

The metal halide offers a colour temperature of 6000k similar to daylight, and offers exceptional illumination, especially in polar regions and long range navigation.



SPECIFICATION

- Instant re-strike. No "cooling" down time required.
- Toughened super clear Optiwhite front glass.
- Parabolic glass reflector
- Constructed from marine grade materials and fixings
- Powder coated and stove enamel paint finish.
- Pan rotation 450°
- Deck Tilt elevation control +40°, -40°.
- Optional Heater fitted in barrel
- Operational temp -50°
- External lamp focus, 3° spot to 18° flood.
- High quality PSU 50/60 Hz 1ph
- Sealing - IP56 Searchlight, PSU IP66
- Searchlight weight Deck 33kgs
- PSU weight 23kgs.
- Luminous flux 110.000
- Colour Temperature 6,000K.

ALL DIMENSIONS IN MILLIMETRES

Base fixing details:

Deck 3 holes Ø11.0 equi-spaced on a 174 PCD

PSU dimensions: 380 x 325 x 217mm

Part Numbers

Type	Part No
FH560D Deck	A2884
1200w G38 Lamp	D15746

VAC	Lamp life	Range @ 1 Lux	PBCP X 1000	Div	Watts
230v	1000 hrs	8191m	67,000	3°	1200w