

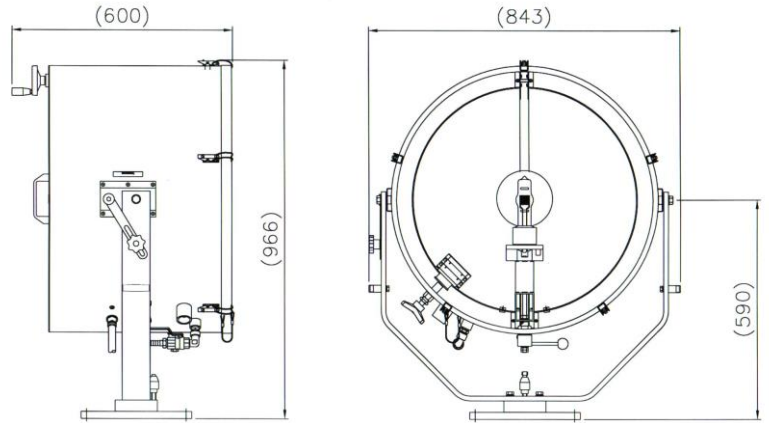


**FL710 Issue 6
Tungsten Halogen
Suez Canal Searchlight**

APPLICATION

The FRANCIS FL range of searchlights incorporate the design features required to successfully operate searchlights in the most demanding product operating environments on land and sea.

These dual purpose split or single beam Searchlights are built to the Suez & Panama Canal Authority Specification and are obligatory for ships passing through the canal. These Searchlights are fitted with a lamp changeover system, one operational and one spare for use in the event of failure.



ALL DIMENSIONS IN MILLIMETRES

Base fixing details:
4 holes Ø12.5 equi-spaced on a 270 PCD

SPECIFICATION

- Toughened super clear Optiwhite front glass.
- Parabolic split glass reflector.
- Constructed from marine grade materials and fixings
- Powder coated and stove enamel paint finish.
- Pan rotation 360°
- Tilt elevation control +40°, -35°.
- Temperature range +50°C to -40°
- Sealing - IP56 Searchlight
- Searchlight weight 38.60kgs
- Gas proofed for use on tankers.
- Fitted with a pressure relief valve and exhaust cock, for connection to a flexible hose.
- Fitted with lamp changeover system, in event of lamp failure.
- External focusing wheel to permit varying beam divergences.
- Single beam 5-10°. Split beam of two 5° sections with 0-10 Dark center.
- Lamp Life 400 hours.

Part Numbers

Type	Supply	Part No
FL710 Deck	115/230	A2703
2000w G38 Lamp	115v	D1823
3000w G38 Lamp	115v	D9843
2000w G38 Lamp	220v	D4604
3000w G38 Lamp	220v	D22559
Switch Socket 32A	220v	C20058-00
Switch Socket 16A	220v	C20354-00
Switch Socket 32A	115v	C20060-00
Interlocking Plug 32A	220v	C20059-00
Interlocking Plug 16A	220v	C20355-00
Interlocking Plug 32A	115v	C20061-00
Waterproof Cover		C02042-00

Single Beam				Split Beam				
Lamp	Vert	P.B.C.P	Range M	Hor	Centre Angle	Vert	P.B.C.P	Range M
D1823	2.5°	4,945,000	2,224	5°	0-10°	2.5°	2,472,500	1,572
D9843	3°	5,796,000	2,407	5°	0-10°	3°	2,898,000	1,702
D4604	3°	3,719,000	1,928	6°	0-10°	3°	1,859,500	1,364
D22559	4°	4,821,000	2,196	6°	0-10°	4°	2,410,950	1,553