



APPLICATION

The Francis FSP300 LED searchlight range continues to develop and offers an Efficiently and Environmentally Friendly alternative to traditional lamp sources.

Using the highest grade of LED, this range offers a high power output with low power consumption. In addition, the Led chip offers a lamp life of 33,000 hours

FSP300 110w Signalling Projector is available as either a Deck or Deck Pedestal mounting option and is suited to vessels that require a permanently installed day/ night visual signalling searchlight.

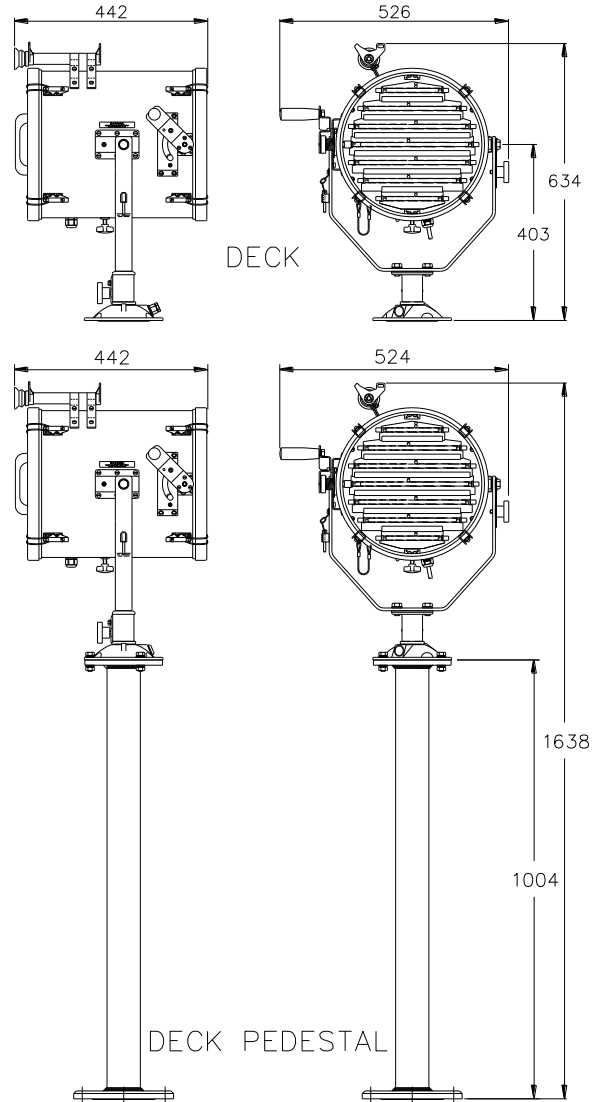
The high quality equipment will perform in the most demanding product operating environments on land and sea.

Standard features include adjustable focus mechanism and combined tubular and V sights. The well designed shutter mechanism can be locked in the 'open' position, allowing the unit to be used as a searchlight.

SPECIFICATION

- Toughened super clear Optiwhite front glass.
- High quality shutter mechanism for Morse code
- Signaling range minimum of 10 miles / 16 km (daylight)
- Signalling speed of 12 words per minute
- Parabolic glass reflector
- Constructed from marine grade materials and fixings.
- Powder coated and stove enamel paint finish.
- 33,000 lamp life hours.
- Up to 13,900 Lumens.
- Colour Temp options 6500k.
- High quality control gear 50/60 Hz 1ph.
- Removable Front and Rear Bezels.
- Full 450° rotation
- Vertical tilt movement +45° to -45°.
- Operational temp -50°
- External lamp focus 7° spot to 20° flood.
- Searchlight weight Deck 19.3kgs, Deck Pedestal 23.9Kg, PSU weight 2.5kgs.

VAC	LED life	Range @ 1 Lux	Luminous Flux	Div	Watts
115/230v	33,000 hrs	1089m @ 7°Div	13,900	7-20°	110w



ALL DIMENSIONS IN MILLIMETRES

Base fixing details:

Deck 3 holes Ø11.0 equi-spaced on a 154 PCD

Deck Pedestal 4 holes Ø12.5 equi-spaced on a 190 PCD,

Part Numbers

Type	Supply	Part No
FSP300D	24v	A6234
FSP300DP	24v	A6236
FSP300D	115/230v	A6233
FSP300DP	111/230v	A6235
Waterproof Cover		C10233-00
Blue Filter Assy		C23428-00
Green Filter Assy		C23429-00
Red Filter Assy		C21867-00