



### APPLICATION

The FRANCIS FX range of XENON searchlights is a Premium product, and incorporate the design features required to successfully operate searchlights in the most demanding product operating environments on land and sea.

The colour temperature of the Xenon lamp being equal to that of 'sunlight', make this the searchlight ideal for polar regions.

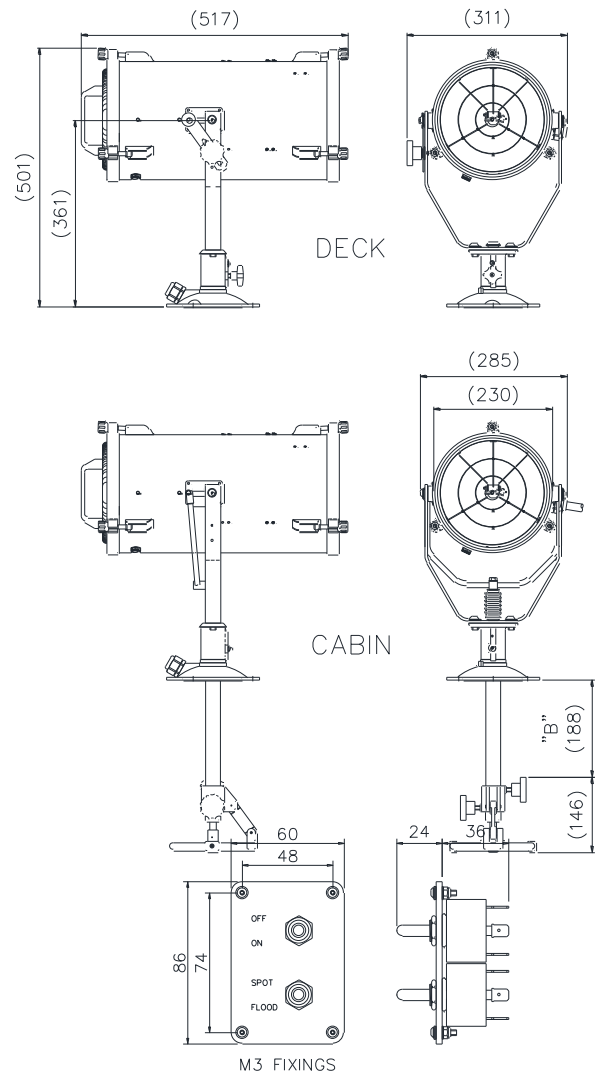
These high power searchlights are well suited to applications where long range and excellent light output are required. For marine applications assisting collision avoidance and man over board situations, and crucially saving lives.

The FX230 can be fitted with an optional infra-red facility which is IDEAL for covert use during security

### SPECIFICATION

- Immediate full lamp brilliance from switch on.
- Toughened super clear Optiwhite front glass.
- Bullet proof Parabolic form electro-formed nickel, bright rhodium coated reflector.
- Constructed from marine grade materials and fixings
- Powder coated and stove enamel paint finish.
- Pan rotation 360°
- Deck Tilt elevation control +40° to -40°.
- Cabin Tilt elevation control +30° to -30°
- Heater fitted in barrel
- Operational temp -50°
- External lamp focus, 1.5° spot to 10° flood.
- Remote focus fitted as standard.
- Sealing – IP56 Searchlight
- Searchlight weight Deck 18Kgs, Cabin 21.5Kgs.
- Special B dimensions available on request.

VDC	Lamp life	Range @ 1 Lux	PBCP X 1000	Div	Watts
10-28vv	1200hrs	2341m	5,479	1.5°	150w



### ALL DIMENSIONS IN MILLIMETRES

Base fixing details:  
3 holes 11.0 Ø equi-spaced on a 154mm PCD  
Cabin control hole Ø40.00

### Part Numbers

Type	Supply	Watts	Part No
FX230D Deck	10-28v	150w	A2432
FX230C Cabin	10-28v	150w	A2433
150w Xenon Lamp			D8151OS
Infra Red Filter Assy			F4906