



Francis
SEARCHLIGHTS

**L230 90w Issue 1
LED Manual
Control**

LED
TECHNOLOGY

APPLICATION

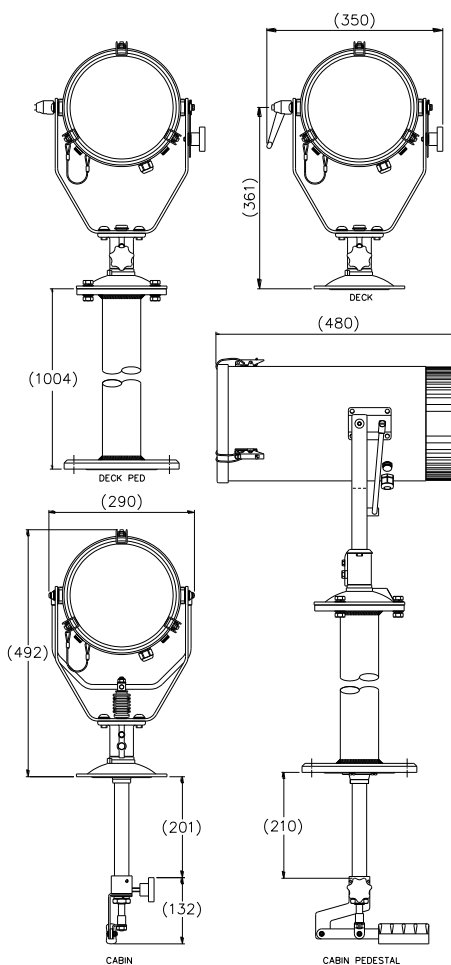
The new Francis LED searchlight range continues to develop and offers an Efficiently and Environmentally Friendly alternative to traditional lamp sources. Using the highest grade of CREE LED, this range offers a high power output with low power consumption. In addition, the CREE XLamp Series offer a lamp life of 40,000 hours.

As with all Francis products, the construction is robust and of the highest quality of construction. Utilizing excellent thermal management of the LED chip ensures successful performance and chip life. The heat sink is integrated into the barrel construction.

The 90w LED gives illumination characteristics similar to that of a 500w halogen lamp.

SPECIFICATION

- 40,000 lamp life hours.
- Toughened super clear Optiwhite front glass.
- Aluminum precision reflector.
- Constructed from marine grade materials and fixings.
- Powder coated and stove enamel paint finish.
- Pan rotation 450°.
- Deck/Deck Ped Tilt elevation control +40° to -40°.
- Cabin/Cabin Ped Tilt elevation control +30° to -25°.
- Operational temp -50°.
- Up to 9855 Lumens
- Colour Temp options 6500k.
- Range of 823m is based on 8° divergence
- High quality control gear 50/60 Hz 1ph.
- Sealing – IP66 Searchlight, PSU IP66.
- PSU weight 2.5kgs.
- Searchlight weight Deck 8.4kgs, Pedestal 4.6Kg, Cabin Control Assy 2Kgs, Cabin Pedestal Assy 3Kgs
- Standard colour white or matt black, with any other colour as an option.
- Fixed focus giving 8 degree divergence and a good spread of illumination.



ALL DIMENSIONS IN MILLIMETRES

Base fixing details:

Deck & Cabin 3 holes Ø11.0 equi-spaced on a 154 PCD
Deck Ped & Cabin Ped 4 holes Ø12.5 equi-spaced on a 190 PCD,
Cabin & Cabin Ped Central Hole Ø75

Part Numbers

Type	Supply	Part No
L230D LED Deck	115/230v	A6138
L230H Handheld	24v	A6144
Cabin Control Assy	115/230v	A6155
Pedestal deck		C26355-01
Cabin Pedestal Ass		C20719-39
		C26356-01

VAC	Lamp life	Range @ 1 Lux	Luminous Flux	Div	Watts
115/230v	40,000 hrs	802m @ 8°	9855	8°	90w

Francis Searchlights Limited
Union Road, Bolton, BL2 2HJ, UK
Tel 44 (0) 1204 558960 Fax 44 (0) 1204 558979
Email sales@francis.co.uk Web site www.francis.co.uk