



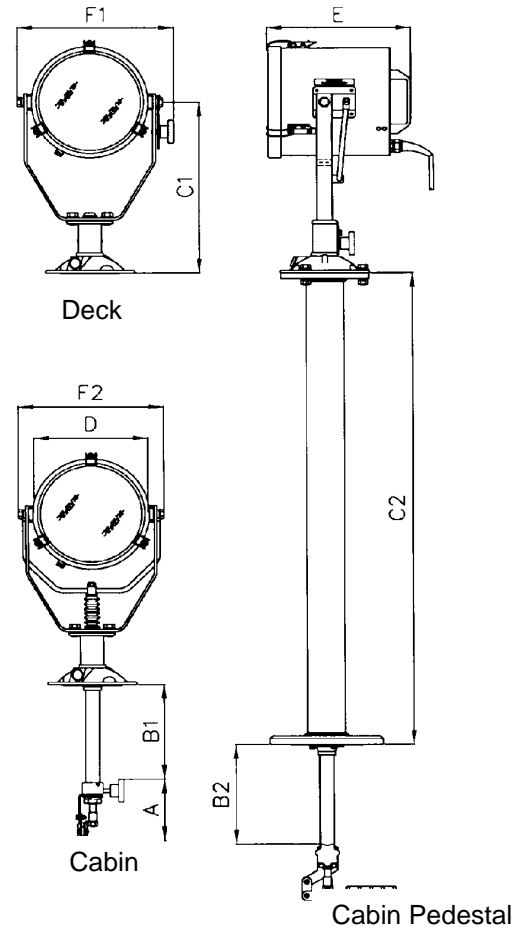
### APPLICATION

The FRANCIS Lite range of searchlights incorporate the design features required to successfully operate searchlights in the most demanding product operating environments on land and sea.

The Lite range is a cost effective and well made range of searchlights with external focus adjustment. These units are particularly suitable for use on patrol craft, custom vessels and general marine applications.

### SPECIFICATION

- Toughened super clear Optiwhite front glass.
- Parabolic super pure aluminum reflector.
- Constructed from marine grade materials and fixings.
- Powder coated and stove enamel paint finish.
- Pan rotation 450°.
- Deck/Deck Ped Tilt elevation control +40° to -40°.
- Cabin/Cabin Ped Tilt elevation control +30° to -25°.
- Optional Heater fitted in barrel.
- Operational temp -50°.
- Tungsten halogen lamp.
- Light shield to prevent unwanted glare & stray light.
- External lamp focus, 2° spot to 15° flood.
- Sealing – IP67 Searchlight.
- Modular design allowing customer to modify configuration.
- Searchlight weight Deck 8.4kgs, Pedestal 4.6Kgs, Cabin Control assy 2Kgs, Cabin Pedestal assy 3Kgs
- Special B1/2 & C2 dimensions available on request.



### ALL DIMENSIONS IN MILLIMETRES

Base fixing details:

Deck & Cabin 3 holes Ø11.0 equi-spaced on a 154 PCD  
Deck Ped & Cabin Ped 4 holes Ø12.5 equi-spaced on a 190 PCD,  
Cabin & Cabin Ped Central Hole Ø75

### Part Numbers

Type	Supply	Part No
L230D Deck	12/24/110v	A2914
L230D Deck	230v	A2627
Cabin Control Assy		C21168-01
Pedestal Deck		C20719-79
Cabin Pedestal Assy		C21169-01

### Dimensions

A	B1	B2	C1	C2	D	E	F1	F2
130	199	211	363	1004	230	288	316	293

VAC	Lamp life	Range @ 1 Lux	PBCP X 1000	Div	Watts	Lamp No
12v	2000 hrs	643m	414	2.2°	100w	D9848
24v	300 hrs	784m	614	2.8°	150w	D14795
24v	300 hrs	1095m	1200	3.8°	250w	D9851
120v	150 hrs	912m	832	4.8°	300w	D16883
230v	75 hrs	888m	790	4.8°	300w	D16841
230v	2000 hrs	722m	521	5.4°	300w	D23795