



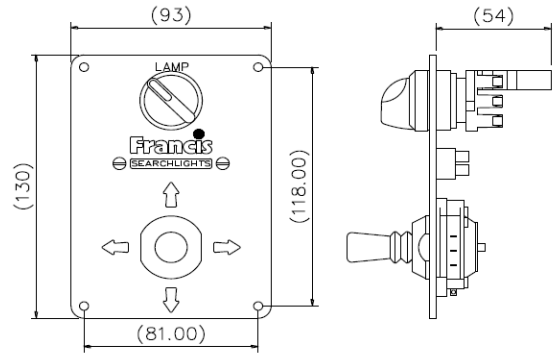
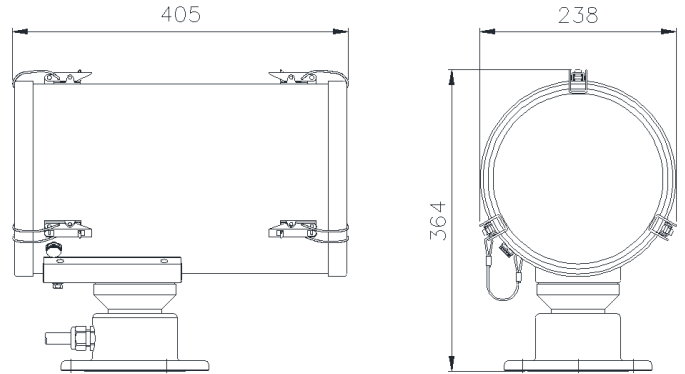
L230RC Issue 1
100w LED
Remote Control

APPLICATION

THE FRANCIS NEW L230 100w LED Remote Control searchlight is part of the high-power LED range. Having been designed with the precise aim of bringing a low profile, high performing, and cost-effective LED solution to the market.

The L230RC LED has been carefully developed to withstand the extraordinary conditions while in use in the harshest of environment, such as Patrol Craft, Coast Guard and any smaller vessel application that requires a compact, lightweight, and high performer.

Within the Francis LED range of marine searchlights, the L230 LED, utilizes a 100w LED chip and a precision lens design to give maximum beam range and candlepower, giving the ability to identify objects and potential dangers from a far greater distance.



SPECIFICATION

- Instant full light output from LED chip.
- Toughened super clear Optiwhite front glass.
- Parabolic super pure precision lens.
- Constructed from marine grade materials and fixings
- Powder coated and stove enamel paint finish.
- Pan rotation 365°
- Tilt elevation control $\pm 20^\circ$.
- Pan Rotation Speed $24^\circ/\text{sec}$.
- Tilt elevation $4^\circ/\text{sec}$.
- Heater fitted in barrel.
- Lamp life 30,000 hrs.
- Operational temp -50°
- Sealing - IP66 Searchlight, Joystick IP65.
- Searchlight weight 11kgs, Driver Box 3Kgs
- Luminous Flux 7047 lm
- Range 1357m @ 1 Lux
- Fixed focus

ALL DIMENSIONS IN MILLIMETRES

Base fixing details:
 3 holes 11 \varnothing equi-spaced on a 154mm PCD
 Driver Box, 361 x 254 x 111cms

Part Numbers

Type	Supply	Watts	Part No
L230RC	24v	100w	A7297
L230RC	110v	100w	A7299
L230RC	240v	100w	A7298

VAC	LED life Hrs	Range @ 1 Lux	Luminous Flux	Div	Watts
24V	30,000	1357m	7047	4°	100w