



L230RC Issue 1
40w LED
Remote Control

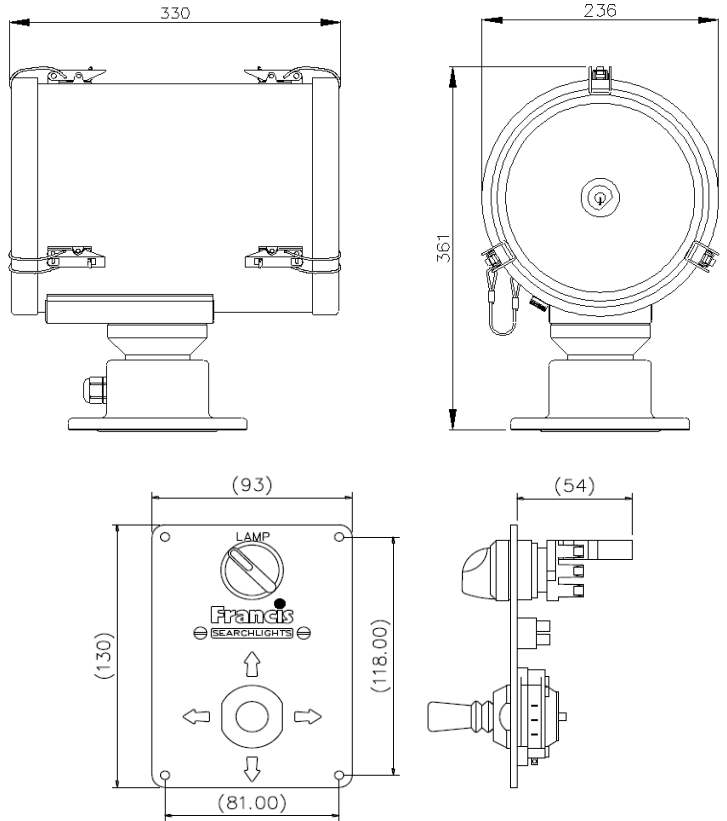


APPLICATION

THE FRANCIS L230 40w LED Remote Control searchlight is part of the high power LED range. Having been designed with the precise aim of bringing a low profile, high performing and cost effective LED solution to the market.

The L230RC LED has been carefully developed to withstand the extraordinary conditions while in use in the harshest of environment, such as Patrol Craft, Coast Guard and any smaller vessel application that requires a compact, lightweight and high performer.

Within the Francis LED range of marine searchlights, the L230 LED, utilizes a 40w LED and reflector design to give maximum beam range and candlepower, giving the ability to identify objects and potential dangers from a far greater distance.



Joystick switches IP65

ALL DIMENSIONS IN MILLIMETRES

Base fixing details:
 3 holes 11 Ø equi-spaced on a 154mm PCD

Part Numbers

Type	Supply	Watts	Part No
L230RC	24v	40w	A7219
L230RC	230v	40w	A7220

SPECIFICATION

- Instant full light output from LED chip.
- Toughened super clear Optiwhite front glass.
- Parabolic super pure Aluminium reflector.
- Constructed from marine grade materials and fixings
- Powder coated and stove enamel paint finish.
- Pan rotation 365°
- Tilt elevation control ±20°.
- Pan Rotation Speed 24v = 1 to 2°/sec, 12v = 1 to 1°/sec.
- Tilt elevation 4°/sec.
- Heater fitted in barrel.
- Lamp life 50,000 hrs.
- Operational temp -50°
- Sealing - IP66 Searchlight, Joystick IP65.
- Searchlight weight 11kgs,
- LED lamp and LED integrated driver installed
- Luminous Flux 4800 lm
- Range 800m @ 1 Lux at beam divergence of 5°
- Fixed focus

Francis Searchlights Limited
 Union Road, Bolton, BL2 2HJ, UK
 Tel 44 (0) 1204 558960 Fax 44 (0) 1204 558979
 Email sales@francis.co.uk Web site www.francis.co.uk

For more information contact: