



APPLICATION

The new Francis LED searchlight range continues to develop and offers an Efficiently and Environmentally Friendly alternative to traditional lamp sources. Using the highest grade of CREE LED, this range offers a high power output with low power consumption. In addition, the CREE XLamp Series offer a lamp life of 40,000 hours

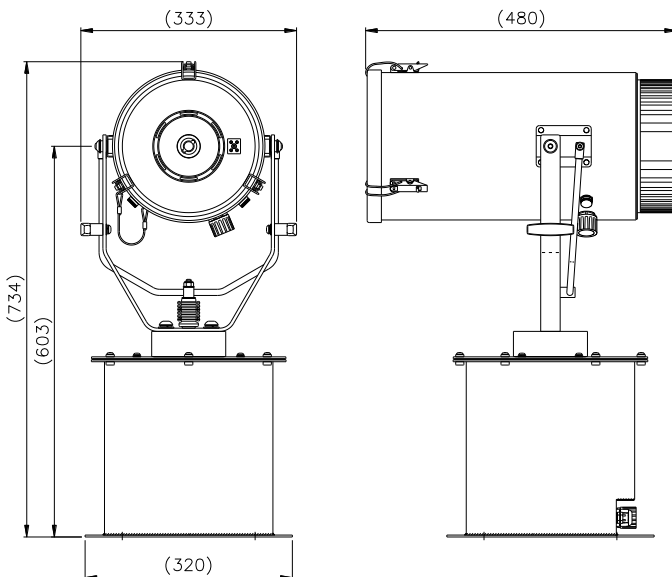
Francis Searchlights have developed and improved all remote controlled searchlights across the range still further by adding full variable speed, a new modern and sleek joystick control panel, using membrane and LED technology, offering Bus Control, auto home position setting, all at no extra cost, with Optional Controls available on request.

The Francis bus (FBUS) is a custom communication protocol based on RS485 two-wire bi directional communication hardware. The system provides a simple bi directional link between searchlights and control panels.

As with all Francis products, the construction is robust and of the highest quality. To dissipate the heat generated by the high power LED, the heat sinks are integrated into the barrel construction. The 90w LED gives illumination characteristics similar to that of a 500w halogen lamp

SPECIFICATION

- 40,000 lamp life hours
- Toughened super clear Optiwhite front glass.
- Aluminum reflector.
- Constructed from marine grade materials and fixings.
- Powder coated and stove enamel paint finish.
- Pan rotation 365°.
- Tilt elevation control +35°, -40°.
- Variable speed LED joystick, with auto home position.
- RS485 connectivity. Dimmable Control Panel
- Variable Rotation Speed 1 to 19°/sec (Pan).
- Variable Elevation Speed 1 to 6°/sec (Tilt).
- Heater fitted in gearbox & optional in barrel.
- Operational temp -50°.
- Up to 9855 Lumens
- Colour Temp options 6500k
- High quality control gear 50/60 Hz 1ph.
- Sealing - IP66 Gearbox, IP56 Searchlight, PSU IP66.
- Searchlight weight 23kgs, PSU weight 2.5kgs.



ALL DIMENSIONS IN MILLIMETRES

Base fixing details:
4 holes 12.5 Ø equi-spaced on a 290mm PCD
Joystick panel 120 x 120mm (106 x 106mm cutout)

PSU dimensions: 254 x 180 x 90mm

Part Numbers			
Type	Supply	Watts	Part No
L230RC	115/230v	90w	A7104

Optional Controls:

- Program Record Function
- Computer Control Software
- Azimuth LED Control Panel
- Master Control Panel (control up to 10 Searchlights)
- Slave Control Panels (with full control)
- Fiber Optic/TCP/IP Connections

VAC	Lamp life	Range @ 1 Lux	Luminous Flux	Div	Watts
115/230v	40,000 hrs	823m @ 8°	9855	8°	90w