



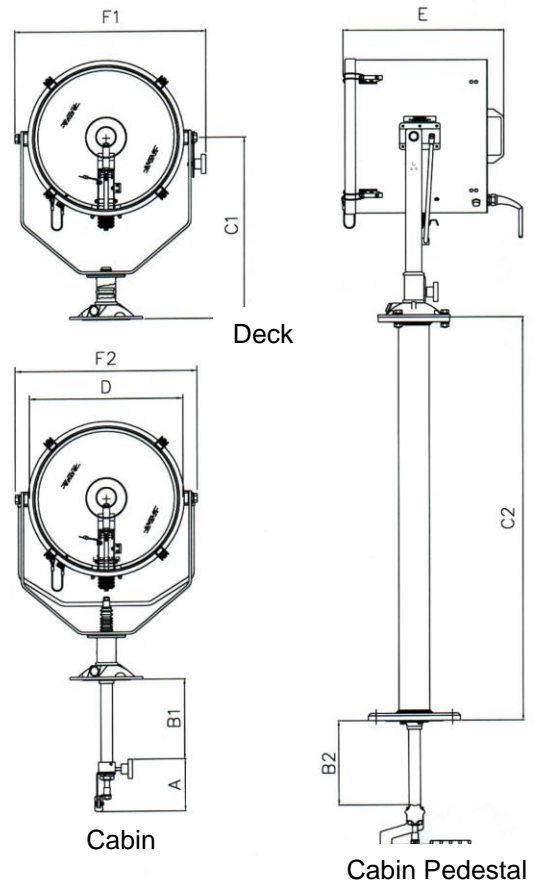
APPLICATION

The FRANCIS Lite range of searchlights incorporate the design features required to successfully operate searchlights in the most demanding product operating environments on land and sea.

The Lite range is a cost effective and well made range of searchlights with external focus adjustment. These units are particularly suitable for use on patrol craft, custom vessels and general marine applications.

SPECIFICATION

- Toughened super clear Optiwhite front glass.
- Parabolic super pure aluminum reflector
- Constructed from marine grade materials and fixings
- Powder coated and stove enamel paint finish.
- Pan rotation 450°
- Deck/Deck Ped Tilt elevation control +40° to -40°.
- Cabin/Cabin Ped Tilt elevation control +30° to -25°
- Optional Anti-icing : Thermostatically-controlled heaters are located in the Barrel to prevent ice build-up."
- Operational temp -50°
- Tungsten halogen lamp
- Light shield to prevent unwanted glare & stray light
- External lamp focus, 2° spot to 15° flood.
- Sealing – IP66 Searchlight
- Modular design allowing customer to modify configuration.
- Searchlight weight Deck 11.8kgs, Pedestal 4.6Kgs, Cabin control assy 2.3Kgs, Cabin Pedestal assy 3.3Kgs
- Special B1/2 & C2 dimensions available on request.



ALL DIMENSIONS IN MILLIMETRES

Base fixing details:

Deck & Cabin 3 holes Ø11.0 equi-spaced on a 154 PCD
Deck Ped & Cabin Ped 4 holes Ø12.5 equi-spaced on a 190 PCD,
Cabin & Cabin Ped Central Hole Ø75

Part Numbers

Type	Supply	Part No
L300D Deck	12/24v	A2960
L300D Deck	115/230v	A2940
Cabin Control Assy		C20624-01
Pedestal deck		C20719-79
Cabin Pedestal Assy		C20669-01

Dimensions

A	B1	B2	C1	C2	D	E	F1	F2
130	199	211	403	1004	300	399	398	376

VAC	Lamp life	Range @ 1 Lux	PBCP X 1000	Div	Watts	Lamp No
12v	2000 hrs	972m	944	2°	100w	D9848
24v	300 hrs	1055m	1113	2°	150w	D14795
24v	300 hrs	1490m	2220	3°	250w	D9851
230v	750 hrs	905m	820	5°	650w	D1813
115v	750 hrs	1000m	1000	5°	1000w	D1809
230v	750 hrs	970m	940	5°	1000w	D6715