



APPLICATION

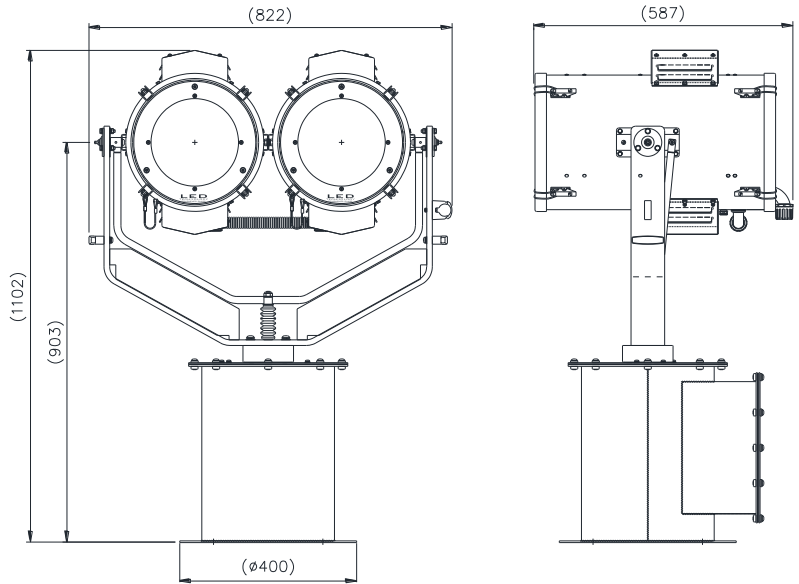
The Francis L300RC Twinhead LED searchlight range, a superior range of variable speed Remote Controlled Searchlights. The design, functionality and build quality, enable it to operate in the most demanding operating environments on land and sea. This range offers a high power output with low power consumption. Using a series of precision made glass lenses to optimize and collimate the light output, to achieve a greater range and output. The high power LED Chip has 20,000 hour life.

As with all Francis products, the construction is robust and of the highest quality. To dissipate the heat generated by the high power LED, there has been a great focus on thermal management, fitting an internal heatsink, cooled by internal fans, maintaining the heatsink at the required temperature, to optimise the chip output.

Francis Searchlights have developed and improved all remote controlled searchlights across the range still further by adding full variable speed, offering Bus Control, auto home position setting, all at no extra cost, with Optional Controls available on request.

SPECIFICATION

- Toughened super clear Optiwhite front glass.
- 20,000 lamp life hours
- Precision made glass lenses.
- Constructed from marine grade materials and fixings.
- Powder coated and stove enamel paint finish
- Pan rotation 385°.
- Tilt elevation control ±45°.
- Variable speed LED joystick, with auto home position.
- RS485 connectivity, Dimmable Control Panel
- Variable Rotation Speed 1 to 43°/sec (Pan).
- Variable Elevation Speed 1 to 14°/sec (Tilt).
- Heater fitted in gearbox & barrel.
- Operational temp -50°.
- Colour Temp options 6000k
- Sealing - IP67 Gearbox, IP56 Searchlight
- Searchlight weight 78kgs
- Remote Focus fitted as standard, giving an impressive range of 4 - 10° beam divergence adjustment.
- Redesigned gearbox housing, incorporating cable termination, for direct connection to the internal LED Driver.



ALL DIMENSIONS IN MILLIMETRES

Base fixing details:
4 holes 12.5 Ø equi-spaced on a 350mm PCD
Joystick Panel 150 x 150mm (cutout 106 x 136mm)

Part Numbers

Type	Supply	Watts	Part No
L300RC	115/230v	468w	A7177
L300RC	24v	468w	A7202

Optional extras:

- Computer Control Software
- Azimuth LED Control Panel
- Master Control Panel (control up to 6 Searchlights)
- Slave Control Panels (with full control)
- Fiber Optic/TCP/IP Connections
- Flir Thermal camera

VAC	Lamp life	Range @ 2 Lux	Luminous Flux	Div	Watts
24/115/230v	20,000 hrs	4309m	71,074	4-10°	468w