



L480 Issue 1  
LED 200w  
Manual Control



### APPLICATION

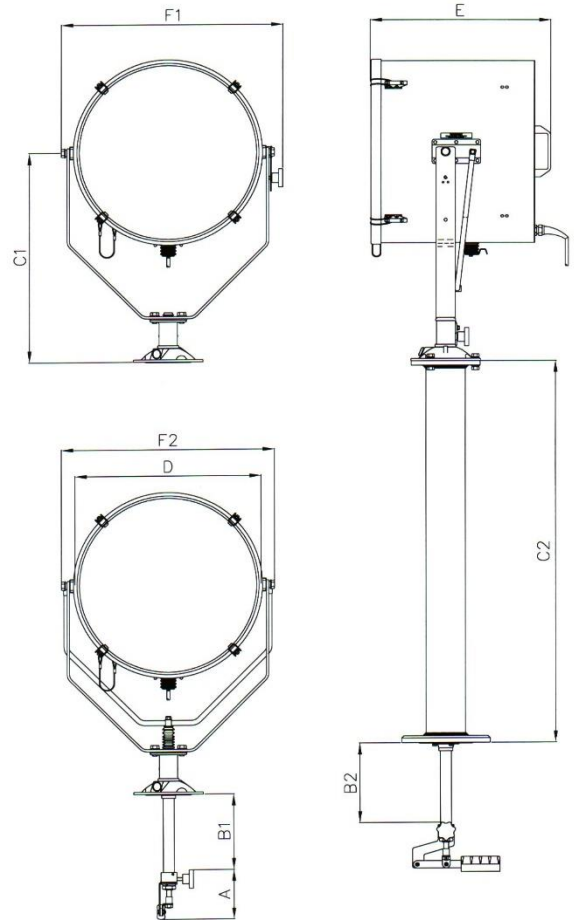
The Francis LED searchlight range continues to develop and offers an Efficiently and Environmentally Friendly alternative to traditional lamp sources.

Using the highest grade of LED, this range offers a high power output with low power consumption. The 200w LED gives illumination characteristics similar to that of a 2Kw halogen lamp. This model offers a focus adjustment of the beam from 7° spot to 20° flood.

As with all Francis products, the construction is robust and of the highest quality of construction. Utilizing excellent thermal management of the LED chip ensures successful performance and chip life.

### SPECIFICATION

- 33,000 LED chip life hours.
- Toughened super clear Optiwhite front glass.
- Parabolic glass reflector
- Constructed from marine grade materials and fixings.
- Powder coated and stove enamel paint finish.
- Pan rotation 450°.
- Deck/Deck Ped Tilt elevation control +40° to -40°.
- Cabin/Cabin Ped Tilt elevation control +30° to -25°
- Heater optional in barrel.
- Operational temp -50°.
- Up to 27,800 Lumens.
- Colour Temp options 6500k.
- High quality control gear 50/60 Hz 1ph.
- Sealing - IP66 Searchlight, PSU IP66.
- Modular design allowing customer to modify configuration.
- Searchlight weight 20kgs, PSU weight 3kgs.
- Pedestal 5Kgs, Cabin control assy 2.8Kgs, Cabin Pedestal assy 3.8Kgs
- Special B1/2 & C2 dimensions available on request.



### ALL DIMENSIONS IN MILLIMETRES

Base fixing details:

Deck & Cabin 3 holes Ø11.0 equi-spaced on a 154 PCD

Deck Ped & Cabin Ped 4 holes Ø12.5 equi-spaced on a 190 PCD,

Cabin & Cabin Ped Central Hole Ø75

PSU dimensions: 254 x 180 x 90mm

Part Numbers

Type	Supply	Watts	Part No
L480D 200w	115/230v	200w	A6220
Cabin Control Assy			C28462-01
Pedestal Deck			C20719-39
Cabin Pedestal Assy			C28463-01

### Dimensions

A	B1	B2	C1	C2	D	E	F1	F2
130	199	211	550	1004	480	465	571	550

VAC	LED life	Range @ 1 Lux	Luminous Flux	Div	Watts
115/230v	33,000 hrs	1546m @ 7°Div	28,000	7-20°	200w