



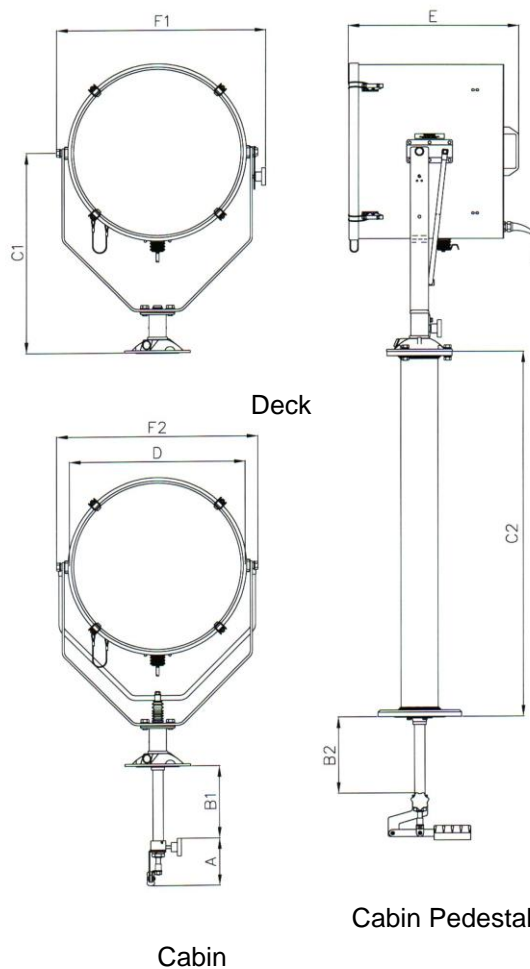
APPLICATION

The FRANCIS Lite range of searchlights incorporate the design features required to successfully operate searchlights in the most demanding product operating environments on land and sea.

The Lite range is a cost effective and well made range of searchlights with external focus adjustment. These units are particularly suitable for use on patrol craft, custom vessels and general marine applications.

SPECIFICATION

- Toughened super clear Optiwhite front glass.
- Parabolic super pure aluminum reflector
- Constructed from marine grade materials and fixings
- Powder coated and stove enamel paint finish.
- Pan rotation 450°
- Deck/Deck Ped Tilt elevation control +40° to -40°.
- Cabin/Cabin Ped Tilt elevation control +30° to -25°
- Optional Heater fitted in barrel
- Operational temp -50°
- Tungsten halogen lamp
- Light shield to prevent unwanted glare & stray light
- External lamp focus, 4.5° spot to 15° flood.
- Sealing – IP66 Searchlight
- Modular design allowing customer to modify configuration.
- Searchlight weight Deck 19.5kgs, Pedestal 5Kgs, Cabin control assy 2.8Kgs, Cabin Pedestal assy 3.8Kgs
- Special B1/2 & C2 dimensions available on request.



ALL DIMENSIONS IN MILLIMETRES

Base fixing details:

Deck & Cabin 3 holes Ø11.0 equi-spaced on a 154 PCD
Deck Ped & Cabin Ped 4 holes Ø12.5 equi-spaced on a 190 PCD,

Cabin & Cabin Ped Central Hole Ø75

Part Numbers

Type	Supply	Part No
L480D Deck 1kw	115/230v	A2944
L480D Deck 2kw	115/230v	A2948
Cabin Control Assy		C20730-01
Pedestal Deck		C20719-79
Cabin Pedestal Assy		C20737-01

Dimensions

A	B1	B2	C1	C2	D	E	F1	F2
130	199	211	550	1004	480	465	571	550

VAC	Lamp life	Range @ 1 Lux	PBCP X 1000	Div	Watts	Lamp No
115v	400 hrs	1533m	2351	6.5°	2000w	D20390
230v	400 hrs	1643m	2701	6.5°	2000w	D20236
115v	750 hrs	1440m	2073	4.5°	1000w	D1809
230v	750 hrs	1441m	2078	4.5°	1000w	D6715