

**LSP380 Issue 2
Metal Halide 575 w
110-240v, Portable
Suez Canal Searchlight**

APPLICATION

The metal halide Portable Suez Searchlight now available with innovative design features in order to meet the requirements of Suez Canal Authority.

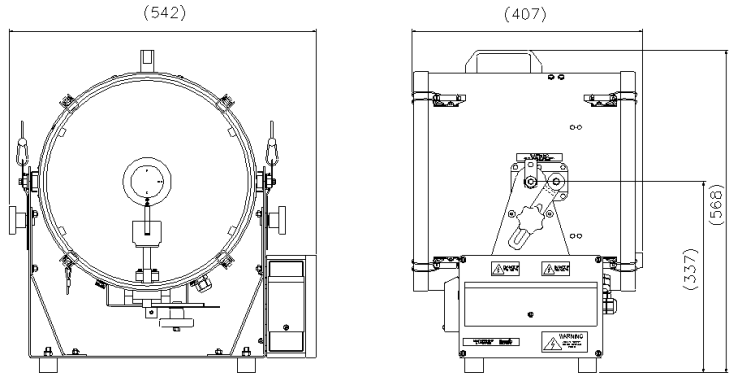
The fully portable searchlight exceeds traditional light outputs of significantly larger and heavier units available in the market.

The generous specification includes lamp changeover, split beam reflectors and long life metal halide lamps. The electronic PSU is the latest technology and itself is integrated into the crutch, therefore the package is truly self contained and easily portable.

The Suez searchlight is obligatory for ships passing through the canal.

SPECIFICATION

- Toughened super clear Optiwhite front glass.
- Parabolic split glass reflector.
- Constructed from marine grade materials and fixings
- Powder coated and stove enamel paint finish.
- Tilt elevation control +10° to -40°.
- Sealing protection to IP65.
- Light weight, only 17KG, including searchlight and PSU.
- New light weight electronic PSU 90/264v AC.
- Fitted with lamp changeover system, in event of lamp failure.
- High power Metal Halide lamp with 1000 hrs lamp life
- New external levers allowing the beams to be split accurately.
- Split beam of two 20° sections giving a credible 40° split arc.
- Fixed focus
- Shoulder carry strap fitted as standard, offering safer and ease of transportation.



ALL DIMENSIONS IN MILLIMETRES

Base fixing details:
4 holes Ø8.2 at 350 X 200mm

Part Numbers

Type	Supply	Watts	Part No
LSP380	110 - 240v	575w	A6229
575w Lamp			D15764

VAC	Lamp life	Range @ 1 Lux	PBCP X 1000	Div	Watts
115/230v	1000hrs	3767m	14,190	2.1°	575w

Francis Searchlights Limited Union Road, Bolton, BL2 2HJ, UK
Tel 44 (0) 1204 558960, Email sales@francis.co.uk Web site www.francis.co.uk