



APPLICATION

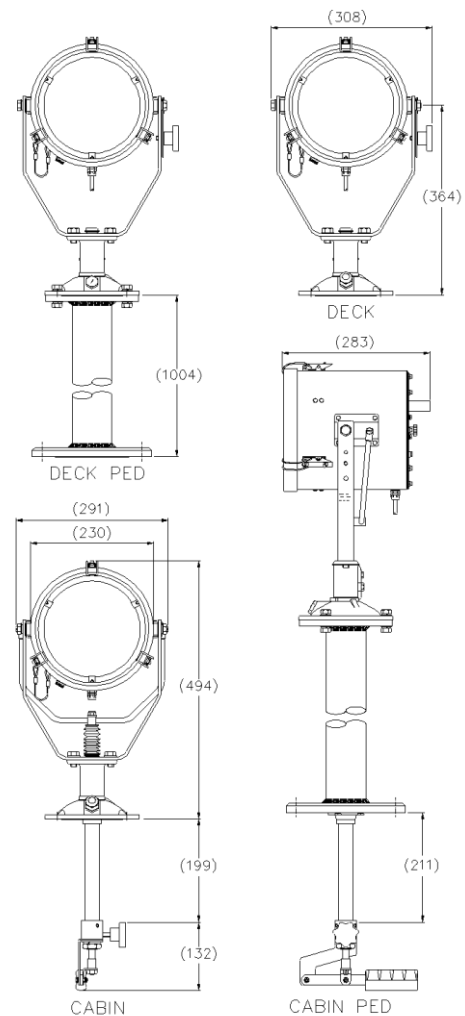
THE FRANCIS LX230 manual control searchlight is part of the high power Xenon range. Having been designed with the precise aim of bringing a low profile, high performing and cost effective solution to the market.

The LX230 has been carefully developed to withstand the extraordinary conditions while in use in the harshest of environment, such as Patrol Craft, Coast Guard and any application that requires a compact, lightweight and high performer.

Within the Francis LX range of marine searchlights, the LX230, utilizes a 100w xenon lamp, and has been designed to give maximum beam range and candlepower, giving the ability to identify objects and potential dangers from a far greater distance. As an optional extra option, this unit is also available with infra-red night vision ensuring total covert surveillance.

SPECIFICATION

- Toughened super clear Optiwhite front glass.
- Instant re-strike. No "cooling" down time required.
- Parabolic super pure aluminum reflector.
- Constructed from marine grade materials and fixings.
- Powder coated and stove enamel paint finish.
- Pan rotation 450°.
- Deck/Deck Ped Tilt elevation control +40° to -40°.
- Cabin/Cabin Ped Tilt elevation control +30° to -25°.
- Heater fitted in barrel.
- Operational temp -50°.
- Spill rings to prevent unwanted glare & stray light.
- 100w HID Xenon lamp supplied and fitted at no extra cost.
- External lamp focus, 5° spot to 29° flood.
- Sealing – IP67 Searchlight.
- Modular design allowing customer to modify configuration.
- Searchlight weight Deck 10kgs, Pedestal 4.6Kgs, Cabin Control assy 2Kgs, Cabin Pedestal assy 3Kgs 220v Transformer 4Kgs.
- Special B1/2 & C2 dimensions available on request.
- Optional infa red filter
- Peak Beam Candle Power 3.1 million
- Range 1480m @ 1 Lux 18,000 Lumens



ALL DIMENSIONS IN MILLIMETRES

Base fixing details:

Deck & Cabin 3 holes Ø11.0 equi-spaced on a 154 PCD
Deck Ped & Cabin Ped 4 holes Ø12.5 equi-spaced on a 190 PCD,

Cabin & Cabin Ped Central Hole Ø75

Part Numbers

Type	Supply	Part No
LX230D Deck	12/24	A6083
LX230D Deck	230v	A6104
Cabin Control Assy		C21168-01
Pedestal Deck		C20719-79
Cabin Pedestal Assy		C21169-01

Dimensions

A	B1	B2	C1	C2	D	E	F1	F2
130	199	211	494	1004	230	387	308	286