



**APPLICATION**

The FRANCIS M15 Halogen searchlights incorporate the design features required to successfully operate searchlights in the most demanding product operating environments on land and sea.

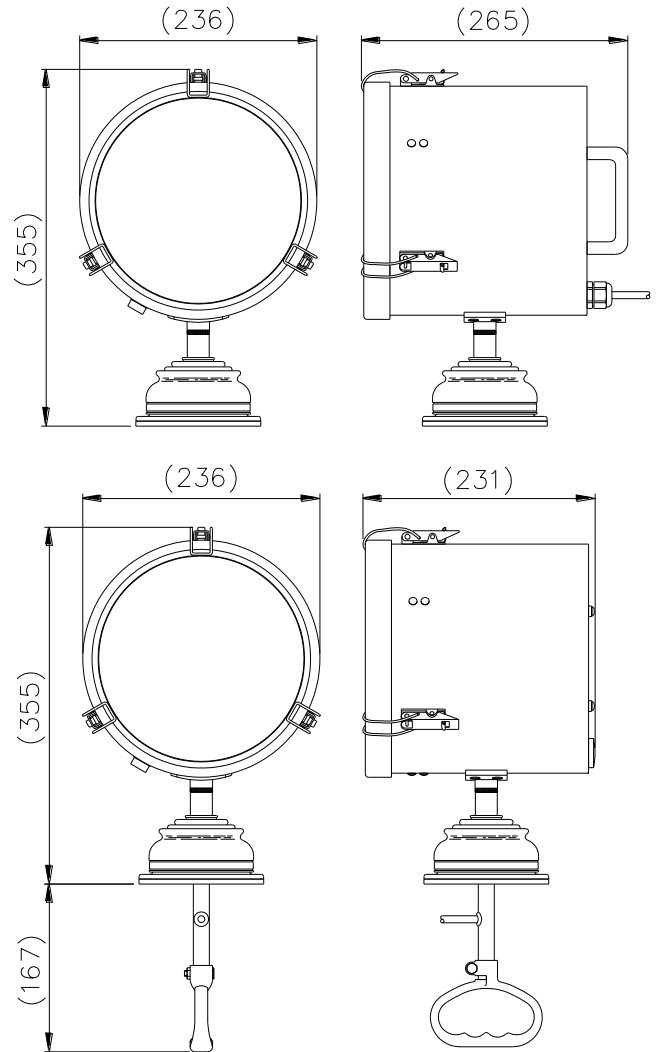
The M15 is a cost effective and well made range of searchlights with fixed focus.

These units are particularly suitable for use on patrol craft, custom vessels and general marine applications.

As with all Francis products, the construction is robust and of the highest quality.

**SPECIFICATION**

- Toughened super clear Optiwhite front glass.
- Parabolic super pure aluminum reflector.
- Constructed from marine grade materials and fixings.
- Powder coated and stove enamel paint finish.
- Pan rotation 360°.
- Tilt elevation control ±35°.
- Operational temp -20°.
- Tungsten halogen lamp.
- Sealing – IP66 Searchlight.
- Searchlight weight 4kgs.
- Fixed focus giving 2.2° to 3.8° divergence giving good range and illumination.
- Available as a deck version or with a cabin under deck control handle.
- Perfect for RIBS and small vessels.



**ALL DIMENSIONS IN MILLIMETRES**

Base fixing details:  
3 holes Ø6.4 on a 108 P.C.D.  
Under deck control clearance hole Ø45.

Part Numbers

Type	Supply	Part No
M15 Deck	12/24v	A6200
M15 Cabin	12/24v	A6201

VAC	Lamp life	Range @ 1 Lux	PBCP X 1000	Div	Watts	Lamp No
12v	2000 hrs	643m	414	2.2°	100w	D9848
24v	300 hrs	784m	614	2.8°	150w	D14795
24v	300 hrs	1095m	1200	3.8°	250w	D9851