

M15 Halogen Searchlight Manual Operation

The FRANCIS M15 Halogen searchlights incorporate the design features required to successfully operate searchlights in the most demanding product operating environments on land and sea.

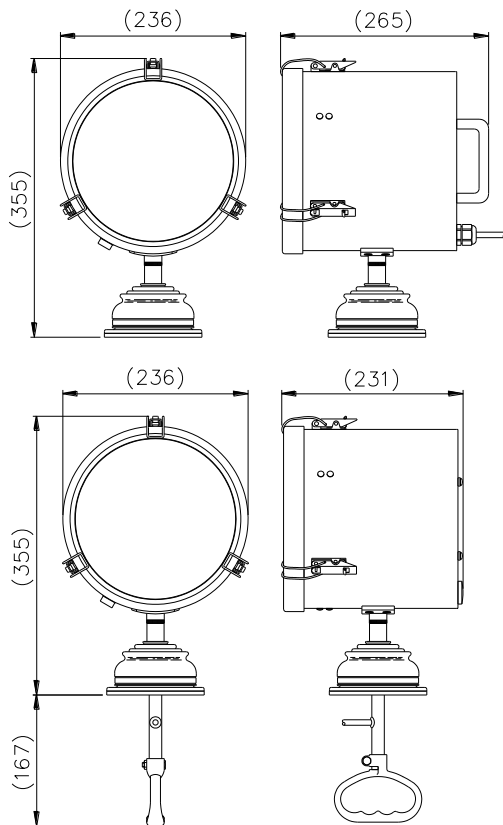
The M15 is a cost effective and well made range of searchlights with fixed focus.

These units are particularly suitable for use on patrol craft, custom vessels and general marine applications.

As with all Francis products, the construction is robust and of the highest quality.

Information:

- Toughened super clear Optiwhite front glass.
- Parabolic super pure aluminium reflector.
- Marine grade materials and fixings.
- Powder coated and stove enamel paint finish.
- Tungsten halogen lamp.
- Fixed focus.
- Perfect for RIBS and small vessels.



Specification	
Input voltage:	12v DC, 24v DC
Input current:	9A, 7A, 11A Max
Total power consumption:	108w, 170w, 244w Max
Halogen power:	100w, 150w, 250w
Range @ 1 Lux:	643m, 784m, 1095m
PBCP x 1000:	414, 614, 1,200
Divergence:	2.2° - 3.8°
Lamp life (approx.)	300 - 4000 h
Colour temperature:	3000K
Luminous flux:	2,700 – 5,200 lumens
Pan rotation:	360°
Tilt elevation:	±35°
Weight:	4Kgs Deck, 4.5Kgs Cabin
IP rating:	IP66
Operating temperature:	-20°C to +50°C
Base Fixings:	
Deck & Cabin: 3 holes Ø6.4 on a 108 PCD	
Cabin: Ø45 Centre Hole	
Part Numbers:	
A6200 M15 Deck Halogen Searchlight	
A6201 M15 Cabin Halogen Searchlight	
Optional Halogen Lamps:	
D9848 12v 100w	D14795 24v 150w
D9851 24v 250w	