



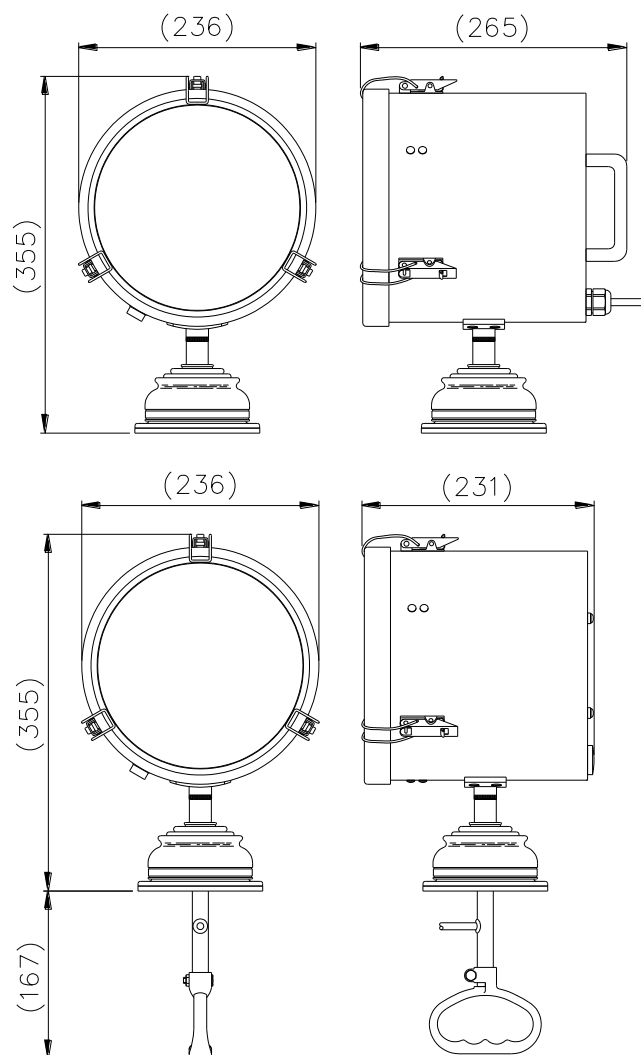
### APPLICATION

The FRANCIS M16 Halogen searchlights incorporate the design features required to successfully operate searchlights in the most demanding product operating environments on land and sea.

The M16 is a cost effective and well made range of searchlights with fixed focus, using a 250w Sealed Beam Light Unit.

These units are particularly suitable for use on patrol craft, custom vessels and general marine applications.

As with all Francis products, the construction is robust and of the highest quality.



### SPECIFICATION

- Toughened super clear Optiwhite front glass.
- Constructed from marine grade materials and fixings.
- Powder coated and stove enamel paint finish.
- Pan rotation 360°.
- Tilt elevation control  $\pm 35^\circ$ .
- Operational temp  $-50^\circ$ .
- 250w Sealed Beam Light Unit.
- Range 700m at 1 Lux.
- 500,000 Candle Power
- 25 Hour Lamp Life.
- Sealing – IP66 Searchlight.
- Searchlight weight 4kgs.
- Available as a deck version or with a cabin under deck control handle.
- Perfect for RIBS and small vessels.

### ALL DIMENSIONS IN MILLIMETRES

Base fixing details:  
3 holes  $\text{Ø}6.4$  on a 108 P.C.D.  
Under deck control clearance hole  $\text{Ø}45$ .

#### Part Numbers

Type	Supply	Part No
M16 Deck	24v	A6202
M16 Cabin	24v	A6203