



M17 225w LED Iss 2
Searchlight 12/24v
Handheld, Deck & Cabin

APPLICATION

This quality built LED searchlight is suitable for Search and Rescue on board smaller craft, where excellent illumination characteristics, durability and flexibility are important factors.

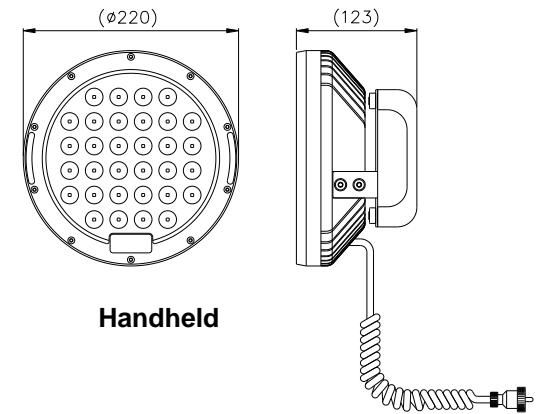
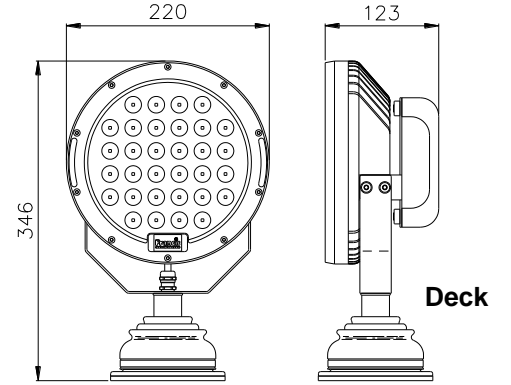
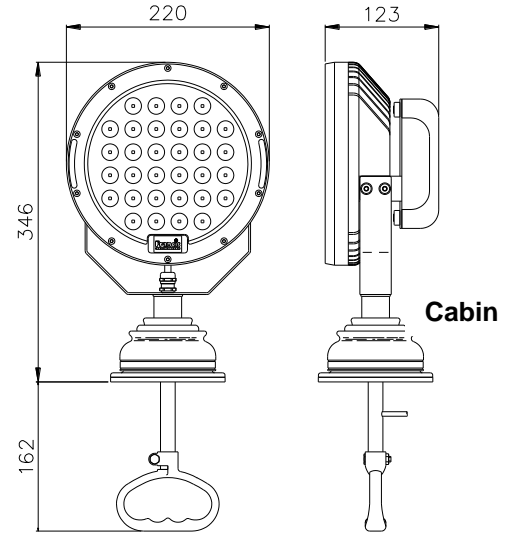
The compact but powerful searchlights offer excellent efficiency using High power LED chips and are a robust construction with an IP67 rating

The powerful LED chips offer an exceptional 24,000 Lumens, fitted with a quality LED reflector & lens. Available with handle, deck mounted and cabin handle control versions.

SPECIFICATION

The following features are incorporated in the 225w LED handheld searchlight:

- 225w High Power LED
- Constructed from quality aluminum & stainless steel
- Powder coated and stove enamel paint finish
- Sealing – IP67 Searchlight
- Searchlight weight 2.4Kgs Handheld, 4.5Kgs Cabin, 4Kgs Deck.
- Deck & Cabin Tilt movement $\pm 35^\circ$ Pan 360°
- 30 degree beam spread
- 24,000 lumens
- LED life 30,000 hrs
- Colour Temperature 6000k
- Handheld model comes a 1.2M coiled cable which extends to 4M. Connection by a marine plug and socket.
- Can be made fully portable using the optional Francis battery pack. 24v giving approx 3 hours of use & 12V, 1.5 hours.
- Also available in Deck and Cabin Control versions.



ALL DIMENSIONS IN MILLIMETRES

Part Numbers

Type	Part No	Supply
M17 Handheld	A6228	12/24v
M17 Deck	A6232	12/24v
M17 Cabin	A6231	12/24v
24v Battery pack	C20177-01	
12v Battery pack	C20175-01	

VAC	LED life	Range @ 1 Lux	Luminous Flux	Div	Watts
12/24v	30,000 hrs	335m @30° Div	24,000	30°	225w



Shown with optional portable battery