



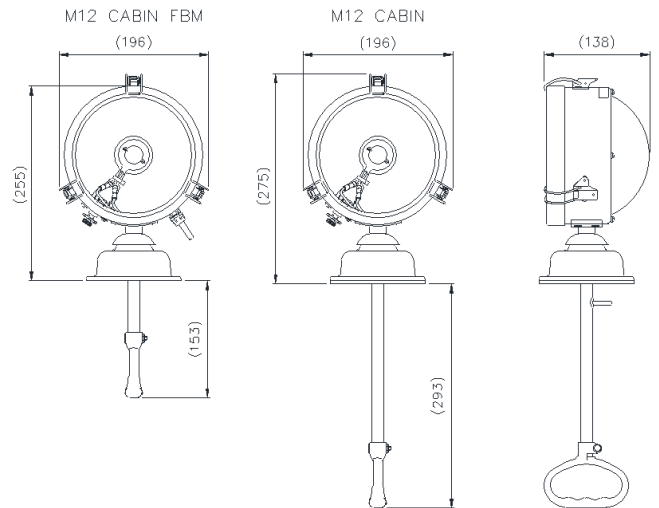
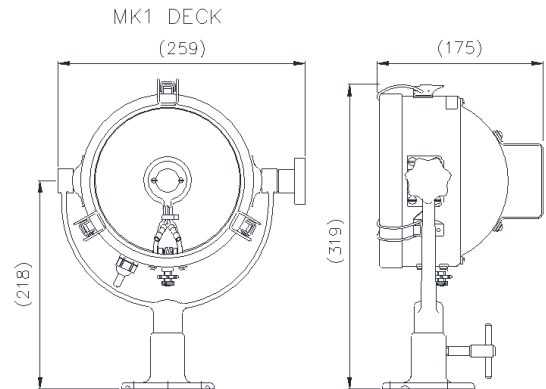
**APPLICATION**

These attractive, quality built searchlights are suitable for smaller craft where good illumination characteristics, durability and appearances are important factors.

**SPECIFICATION**

The following features are incorporated in both the MK1 & M12 searchlights.

- Toughened super clear Optiwhite front glass.
- Polished, electro-brightened super purity Aluminium, parabolic reflector.
- Constructed from marine grade materials and fixings
- Powder coated and stove enamel paint finish
- MK1 & M10 Tilt elevation control  $\pm 35^\circ$ .
- Tungsten halogen lamp
- Sealing – IP65 Searchlight
- Searchlight weight MK1 3kgs, M12 3Kgs
- Special Cabin dimensions available on request
- External focus control.
- MK1 is fitted with a detachable base and is swivel mounted allowing all round horizontal movement and vertical movement which allows the light to be pointed directly overhead.



**ALL DIMENSIONS IN MILLIMETRES**

Base fixing details:

MK1 – 3 holes  $\varnothing 8$  on a 81.0 P.C.D.

M12 – 3 holes  $\varnothing 6.4$  on a 108 P.C.D. with a centre control clearance hole  $\varnothing 45$ .

**Part Numbers**

Type	Finish	Part No
MK1	Paint	A2200
MK1	Chrome	A2201
M12	Paint	A2198
M12	Chrome	A2199
M12 FBM	Black	A2204

NSN-6220-01-126-9534

VAC	Lamp life	Range @ 1 Lux	PBCP X 1000	Div	Watts	Lamp No
12v	3000 hrs	405m	164	3.4°	50w	D4051
12v	50 hrs	576m	332	3°	50w	D9849
12v	50 hrs	640m	409	4°	100w	D3018
12v	2000 hrs	492m	242	4.6°	100w	D9848
24v	2000 hrs	438m	191	4.7°	100w	D9850