



Voyager 2 Issue 1
130w LED Spot/Flood
Remote Control



Voyager 2

APPLICATION

The NEW Voyager 2 LED is based upon the market leading high specification Voyager 2 Premium searchlight.

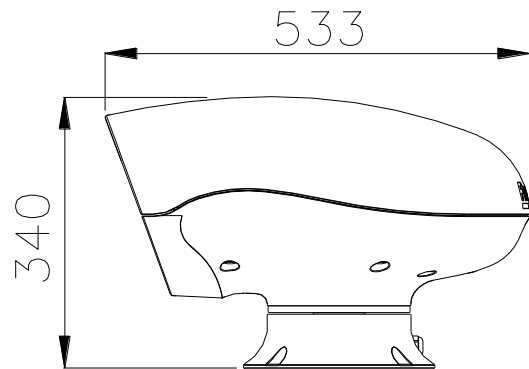
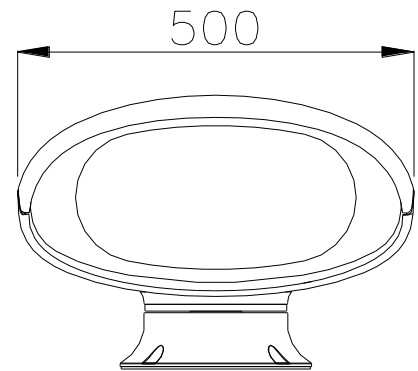
This new model offers the same sleek appearance and high quality construction, however, now available with High Power LED with 'Spot and Flood' beam adjustment, a precision lens design to give maximum beam range and candlepower, giving the ability to identify objects and potential dangers from a far greater distance.

Francis Searchlights have developed and improved all remote controlled searchlights across the range have variable speed, a modern and sleek joystick control panel, offering Bus Control, auto home position setting, all at no extra cost, with Optional Controls available on request.

The Francis bus (FBUS) is a custom communication protocol based on RS485 two-wire bi directional communication hardware. The system provides a simple bi directional link between searchlights and control panels.

As with all Francis products, the construction is robust and of the highest quality of construction. Utilizing excellent thermal management of the LED chip ensures successful performance and chip life.

The 130w LED gives illumination characteristics similar to that of a 1300w halogen lamp.



ALL DIMENSIONS IN MILLIMETRES

Base fixing details:
4 holes 8.2 Ø equi-spaced on a 220mm PCD

SPECIFICATION

- 30,000 lamp life hours.
- Toughened front glass.
- High quality precision lenses.
- Constructed from marine grade materials & fixings.
- Powder coated and stove enamel paint finish.
- Optional colours available.
- Pan rotation 350°. Tilt elevation control ±23°.
- Complete with variable speed joystick.
- Rotation Speed 1-36°/sec
- Tilt elevation speed 1-3.5°/sec.
- Heater fitted in barrel.
- Operational temp -50°.
- 13,720 Lumens.
- Colour Temp 8500k.
- Sealing IP66 Searchlight, Driver IP65.
- Searchlight weight 17kgs, PSU weight 10kgs.
- Spot 110w and Flood 130w

Part Numbers

Type	Supply	Watts	Part No
VL500RC	115/230v	130w	A7300
VL500RC	24v	130w	A7302

Optional Controls:

- Program Record Function
- Computer Control Software
- Azimuth LED Control Panel
- Master Control Panel (control up to 10 Searchlights)
- Slave Control Panels (with full control)
- Fiber Optic/TCP/IP Connections

VAC	LED life Hrs	Range @ 1 Lux	Luminous Flux	Div	Watts
115/230v/ 24V	30,000	1082m 1430m	13,720 7830	7° 4°	130w 110w