



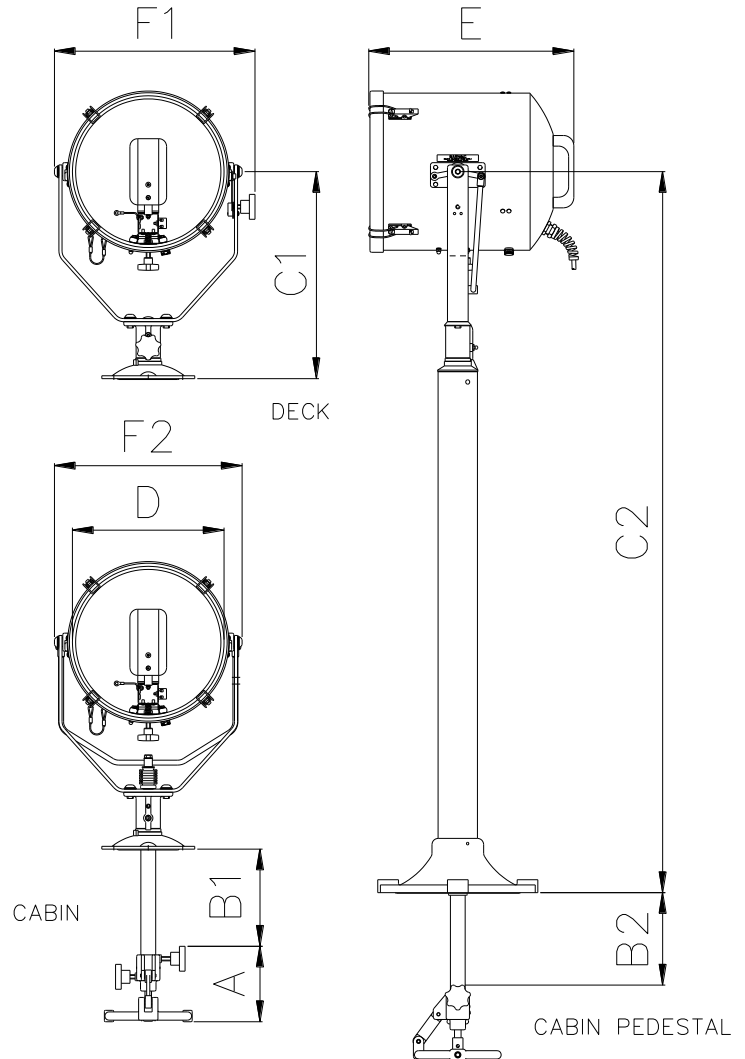
APPLICATION

The FRANCIS FR Premium range of searchlights incorporate the design features required to successfully operate searchlights in the most demanding product operating environments on land and sea.

These units are particularly suitable for use on patrol craft, custom vessels and general marine applications.

SPECIFICATION

- Toughened super clear Optiwhite front glass.
- Parabolic glass reflector
- Constructed from marine grade materials and fixings
- Powder coated and stove enamel paint finish
- Pan rotation 450°
- Deck/Deck Ped Tilt elevation control +40° to -40°.
- Cabin/Cabin Ped Tilt elevation control +30° to -40°
- Optional Heater fitted in barrel
- Operational temp -50°
- Tungsten halogen lamp
- Light shield to prevent unwanted glare & stray light
- External lamp focus, 2° spot to 15° flood.
- Sealing – IP66 Searchlight
- Searchlight weight Deck 12kgs, Deck Ped 16Kg, Cabin 14Kgs, Cabin Ped 18Kgs
- Special B1/2 & C2 dimensions available on request



ALL DIMENSIONS IN MILLIMETRES

Base fixing details:
Deck & Cabin 3 holes Ø11.0 equi-spaced on a 154 PCD
Deck Ped & Cabin Ped 4 holes Ø14.5 equi-spaced on a 270 PCD,
Cabin & Cabin Ped Central Hole Ø40

Part Numbers

Type	Supply	Part No
FR300D Deck	12/24v	A2816
FR300C Cabin	12/24v	A2818
FR300DP Deck Ped	12/24v	A2815
FR300CP Cabin Ped	12/24v	A2817
FR300D Deck	110/240v	A2824
FR300C Cabin	110/240v	A2826
FR300DP Deck Ped	110/240v	A2823
FR300CP Cabin Ped	110/240v	A2825

Dimensions

A	B1	B2	C1	C2	D	E	F1	F2
146	188	179	401	1395	300	398	395	364

Volts	Lamp Life	Range @ 1 Lux	PBCP X 1000	Div	Watts	Lamp Part No
24v	300 hrs	1055m	1113	2°	150w	D14795
24v	2000 hrs	1238m	1532	3°	250w	D4695
24v	300 hrs	1490m	2220	3°	250w	D9851
230v	750 hrs	905m	820	5°	650w	D1813
115v	750 hrs	1000m	1000	5°	1000w	D1809
230v	750 hrs	970m	940	5°	1000w	D6715