

FH300RC 575w Remote Control Searchlight

The Francis FH Range of Remote Control searchlights has been designed with the precise aim of bringing to the market, the ultimate searchlight for both navigation and search and rescue.

The FH300RC has Metal Halide light sources, these searchlights are particularly suitable for use on patrol Craft, custom vessels and is used extensively in security applications, including border control, prisons & watch towers.

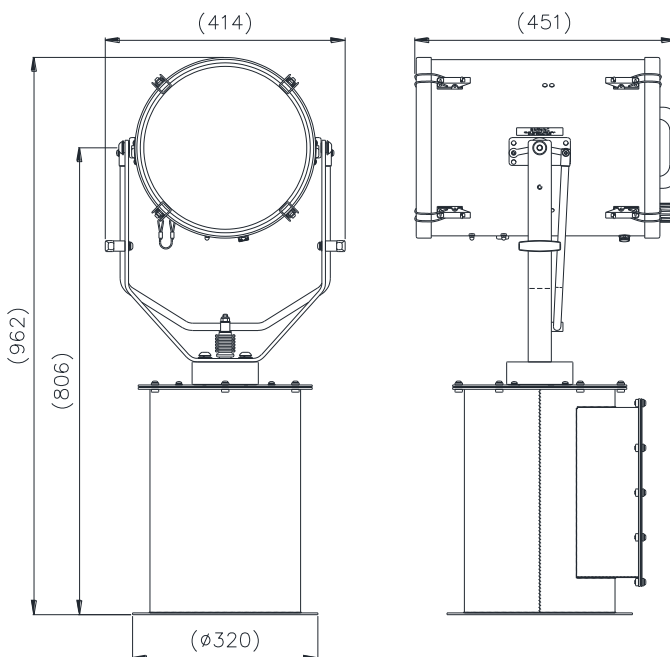
The Francis bus (FBUS) is a custom communication protocol based on RS485 two-wire bi-directional communication hardware.

Information:

- Toughened super clear Optiwhite front glass.
- Parabolic glass reflector.
- Marine grade materials and fixings.
- Powder coated and stove enamel paint finish.
- Variable speed, with auto home position.
- Dimmable Control Panel.
- Heater fitted in gearbox & optional in barrel.
- High quality PSU 50/60 Hz 1ph.
- Remote Focus.
- Direct cable connection.

Optional extras:

- Computer Control Software
- Azimuth LED Control Panel
- Master Control Panel (control up to 6 Searchlights)
- Slave Control Panels (with full control)
- Fiber Optic/TCP/IP Connections
- Flir Thermal camera



Specification

Input voltage:	240 VAC
Input current:	6.5A Max
Total power consumption:	1600w
Searchlight H.W.D:	962 x 414 x 451mm
PSU H.W.D:	182 x 190 x 280cms
Weight:	35Kgs Searchlight 9.5Kgs PSU
Lamp power:	575w
Range @ 1 Lux:	3685m
PBCP x 1000:	13,600
Divergence:	2.5° - 10°
LED life (approx.)	1000h
Colour temperature:	6000K
Luminous flux:	49,000 lumens each
Pan rotation:	365°
Tilt elevation:	±35°
Pan speed:	1 to 60°/sec
Tilt Speed:	1 to 17°/sec
IP rating:	IP66
Operating temperature:	-20°C to +50°C (Optional -50°)
Base Fixings:	4 holes 12.5 Ø on a 290mm PCD
Joystick Control Panel	120x120mm (106 x 106mm cutout)

Part Numbers:

A7136 FH300RC 240v 575w Metal Halide Remote Control Searchlight

D15764 575w Metal Halide Lamp