

# FH380RC 1200w Remote Control Searchlight

The Francis FH Range of Remote Control searchlights has been designed with the precise aim of bringing to the market, the ultimate searchlight for both navigation and search and rescue.

The FH380RC has Metal Halide light sources, these searchlights are particularly suitable for use on patrol Craft, custom vessels and is used extensively in security applications, including border control, prisons & watch towers.

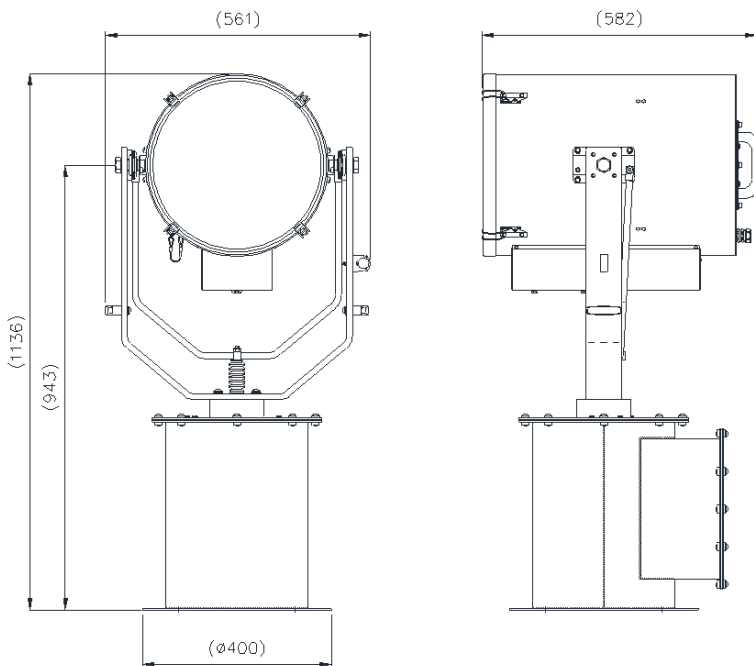
The Francis bus (FBUS) is a custom communication protocol based on RS485 two-wire bi-directional communication hardware.

## Information:

- Toughened super clear Optiwhite front glass.
- Parabolic glass reflector.
- Marine grade materials and fixings.
- Powder coated and stove enamel paint finish.
- Variable speed, with auto home position.
- Dimmable Control Panel.
- Heater fitted in gearbox & barrel.
- High quality PSU 50/60 Hz 1ph.
- Remote Focus.
- Direct cable connection.

## Optional extras:

- Computer Control Software
- Azimuth LED Control Panel
- Master Control Panel (control up to 6 Searchlights)
- Slave Control Panels (with full control)
- Fiber Optic/TCP/IP Connections
- Flir Thermal camera



Specification	
Input voltage:	240 VAC
Input current:	6.5A Max
Total power consumption:	1600w
Searchlight H.W.D:	1136 x 561 x 582mm
PSU H.W.D:	217 x 300 x 380cms
Weight:	55Kgs Searchlight, 23Kgs
Lamp power:	1200w
Range @ 2 Lux:	5805m
PBCP x 1000:	33,700
Divergence:	2° - 10°
Lamp life (approx.)	1000h
Colour temperature:	6800K
Luminous flux:	110,000
Pan rotation:	385°
Tilt elevation:	+30° -35°
Pan speed:	1 to 43°/sec
Tilt Speed:	1 to 14°/sec
IP rating:	IP56
Operating temperature:	-20°C to +50°C (Optional -50°)
Base Fixings:	4 holes 12.5 Ø on a 350mm PCD
Joystick Control Panel	120x120mm (106 x 106mm cutout)
<b>Part Numbers:</b>	
A7138 FH380RC 240v 1200w Metal Halide Remote Control Searchlight	
D15746 1200w Metal Halide Lamp	