

FR480RC 1-2Kw Halogen Remote Control Searchlight

The Francis FR480RC Bus range of variable speed Remote Controlled Searchlights incorporate the design features required to successfully operate searchlights in the most demanding product operating environments on land and sea.

The FR480RC is a high quality large range compact remote control halogen searchlight. These units are particularly suitable for use on patrol craft, Tugboats, custom vessels and general marine applications.

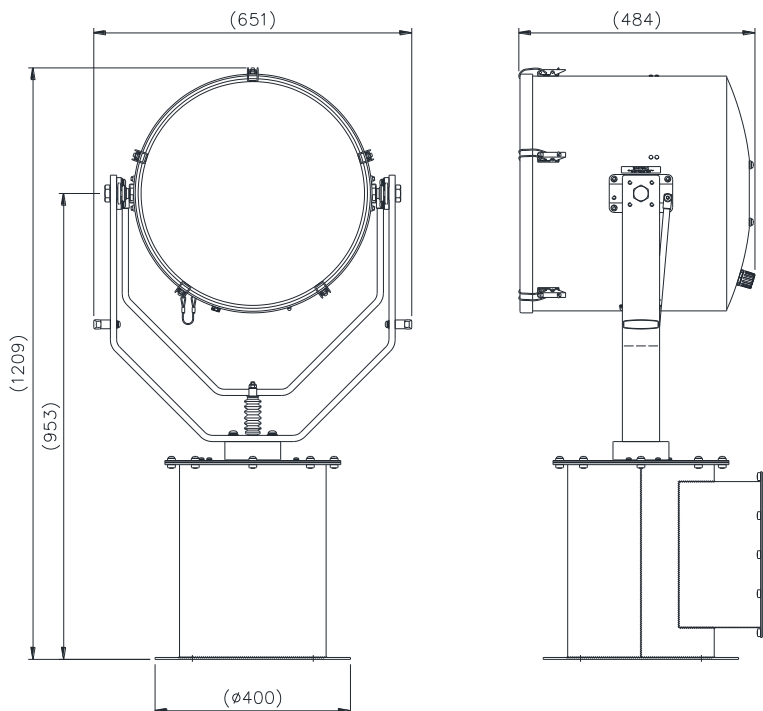
The Francis bus (FBUS) is a custom communication protocol based

Information:

- Toughened super clear Optiwhite front glass.
- Parabolic glass reflector
- Marine grade materials and fixings.
- Powder coated and stove enamel paint finish.
- Variable speed, with auto home position.
- Dimmable control panel.
- Heater fitted in gearbox & optional in barrel.
- Remote focus.
- Direct cable connection.

Optional extras:

- Computer Control Software
- Azimuth LED Control Panel
- Master Control Panel (control up to 6 Searchlights)
- Slave Control Panels (with full control)
- Fiber Optic/TCP/IP Connections
- Flir Thermal camera



Specification	
Input voltage:	110 VAC - 240 VAC
Input current:	19A Max – 9A Max
Total power consumption:	2100w Max
H,W,D:	1209 x 651 x 484mm
Weight:	62Kgs
Halogen power:	1Kw – 2Kw
Range @ 1 Lux:	1Kw = 1441m, 2Kw = 1643m
Divergence:	4.5° - 6.5°
Lamp life (approx.)	400-750 h
Colour temperature:	1Kw = 3050K, 2Kw = 3200K
Luminous flux:	1Kw = 23,500 lm, 2Kw = 56,000 lm
PBCP:	1Kw = 2,078 Mil, 2Kw = 2,701 Mil
Pan rotation:	385°
Tilt elevation:	±35°
Pan speed:	1 to 43°/sec
Tilt Speed:	1 to 14°/sec
IP rating:	IP66
Operating temperature:	-20°C to +50°C (Optional -50°)
Base Fixings:	4 holes 12.5 Ø on a 350mm PCD
Joystick Control Panel	120x120mm (106 x 106mm cutout)
Part Numbers:	
A7130 FR480RC 115/240v 1Kw Remote Control Searchlight	
A7131 FR480RC 115/240v 2Kw Remote Control Searchlight	
Optional Halogen Lamps:	
D1809 1Kw 115v	D6715 1Kw 230v
D20390 2Kw 115v	D20236 2Kw 230v