

FSP300RC 110w LED Signalling Remote Control Searchlight

The Francis LED Signalling Searchlight range continues to develop and offers an Efficiently and Environmentally Friendly alternative to traditional lamp sources. Using the highest grade of LED's, this range offers a high power output with low power consumption. In addition, the LED offer a lamp life of 33,000 hours.

The FSP300RC Signalling range of searchlights is suited to vessels that require a permanently installed day/ night visual signalling searchlight. Standard features include remote focus mechanism and combined tubular and V sights.

The well designed shutter mechanism can be locked in the 'open' position, allowing the unit to be used as a searchlight.

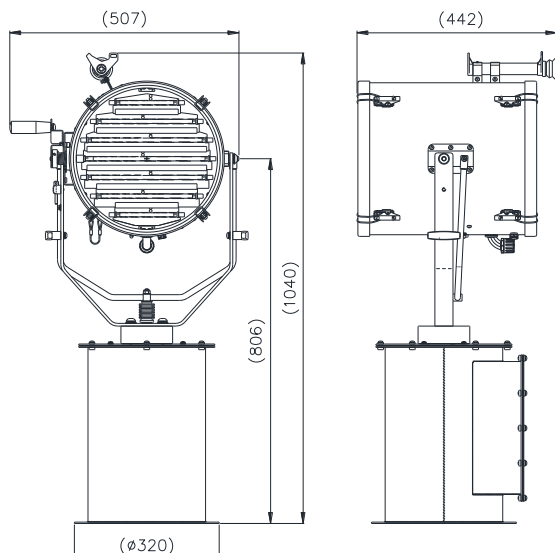
The Francis bus (FBUS) is a custom communication protocol based on RS485 two-wire bi-directional communication hardware.

Information:

- Toughened super clear Optiwhite front glass.
- High quality shutter mechanism for morse code.
- Signalling range minimum of 10 miles / 16 km (daylight)
- Signalling speed of 12 words per minute.
- Parabolic glass reflector.
- Marine grade materials and fixings.
- Powder coated and stove enamel paint finish.
- Variable speed, with auto home position.
- Dimmable Control Panel.
- Heater fitted in gearbox & optional in barrel.
- Remote Focus.
- Direct cable connection to the internal LED Driver.

Optional extras:

- Computer Control Software
- Azimuth LED Control Panel
- Master Control Panel (control up to 6 Searchlights)
- Slave Control Panels (with full control)
- Fiber Optic/TCP/IP Connections
- Flir Thermal camera



Specification		
Input voltage:	24v DC	115 - 240v AC
Input current:	5A Max	2A Max
Total power consumption:	120w Max	500w Max
Searchlight H.W.D:	1040 x 507 x 442mm	
Weight:	39Kgs	
LED power:	110w	
Range @ 1 Lux:	1089m	
Divergence:	7° & 20°	
LED life (approx.)	33,000h	
Colour temperature:	6500K	
Luminous flux:	13,900 lumens	
Pan rotation:	365°	
Tilt elevation:	±35°	
Pan speed:	1 to 60°/sec	
Tilt Speed:	1 to 17°/sec	
IP rating:	IP66	
Operating temperature:	-20°C to +50°C (Optional -50°)	
Base Fixings:	4 holes Ø12.5 on a 290mm PCD	
Joystick Control Panel	120x120mm (106 x 106mm cutout)	
Part Numbers:		
A7276 FSP300RC 24v 110w LED Signalling Remote Control Searchlight		
A7275 FSP300RC 115/240v 110w LED Signalling Remote Control Searchlight		
C28956-00 Red Filter Assy	C28957-00 Green Filter Assy	
C28958-00 Blue Filter Assy	C30154-00 Orange Filter Assy	