

The Francis Halogen Signalling Searchlight has been designed with the precise aim of bringing to the market, the ultimate searchlight for both navigation and search and rescue.

The FSP300RC Signalling range of searchlights is suited to vessels that require a permanently installed day/ night visual signalling searchlight. Standard features include remote focus mechanism and combined tubular and V sights.

The well designed shutter mechanism can be locked in the 'open' position, allowing the unit to be used as a searchlight.

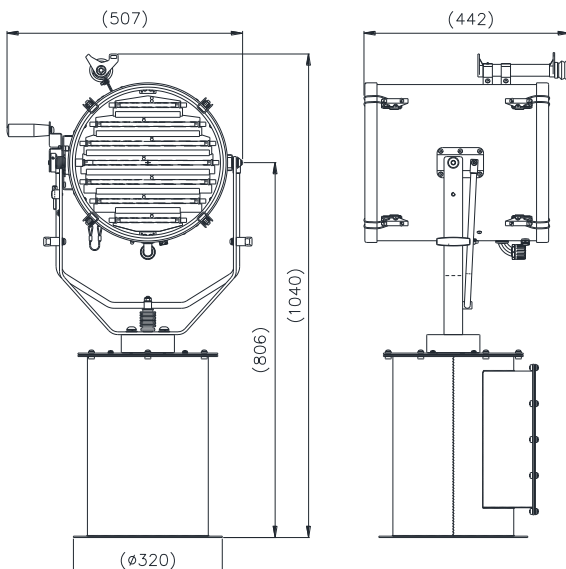
The Francis bus (FBUS) is a custom communication protocol based on RS485 two-wire bi-directional communication hardware.

Information:

- Toughened super clear Optiwhite front glass.
- Parabolic glass reflector.
- High quality shutter mechanism for morse code.
- Signaling range minimum of 10 miles / 16 km (daylight)
- Signalling speed of 12 words per minute.
- Marine grade materials and fixings.
- Powder coated and stove enamel paint finish.
- Variable speed, with auto home position.
- Dimmable Control Panel.
- Heater fitted in gearbox & optional in barrel.
- Remote Focus.
- Direct cable connection.

Optional extras:

- Computer Control Software
- Azimuth LED Control Panel
- Master Control Panel (control up to 6 Searchlights)
- Slave Control Panels (with full control)
- Fiber Optic/TCP/IP Connections
- Flir Thermal camera



Specification		
Input voltage:	24v DC	115/240v AC
Input current:	12A Max	10A Max
Total power consumption:	300w Max	1200w Max
Searchlight H.W.D:	1040 x 507 x 442mm	
Weight:	35Kgs	
Halogen power:	250w, 1000w	
Range @ 1 Lux:	1490m, 905m, 1000m	
PBCP x 1000:	250w = 2,220, 1Kw = 1,000	
Divergence:	3° - 10°	
Lamp life (approx.)	300 – 750h	
Colour temperature:	3000K	
Luminous flux:	9,000 - 21,000 lumens	
Pan rotation:	365°	
Tilt elevation:	±35°	
Pan speed:	1 to 60°/sec	
Tilt Speed:	1 to 17°/sec	
IP rating:	IP66	
Operating temperature:	-20°C to +50°C (Optional -50°)	
Base Fixings:	4 holes 12.5 Ø on a 290mm PCD	
Joystick Control Panel	120x120mm (106 x 106mm cutout)	
Part Numbers:		
A7236 FSP300RC 115/240v Signalling Remote Control Searchlight		
A7275 FSP300RC 24v Signalling Remote Control Searchlight		
C28956-00 Red Filter	C28957-00 Green Filter	
C28958-00 Blue Filter	C30154-00 Orange Filter	
Optional Halogen Lamps:		
D9851 24v 250w	D1813 230v 650w	
D1809 115v 1Kw	D6715 230v 1Kw	