

# FX380RC 2Kw Xenon Remote Control Searchlight

The Francis FX380RC Bus range of variable speed Remote Controlled Searchlights incorporate the design features required to successfully operate searchlights in the most demanding product operating environments on land and sea.

The FX380RC is high power searchlight are well suited to applications where long range and excellent light output are required. For marine applications assisting collision avoidance and man over board situations, and crucially saving lives.

The colour temperature of the Xenon lamp being equal to that of 'sunlight', make this the searchlight ideal for polar regions, also known as "ICE SEARCH LIGHT"

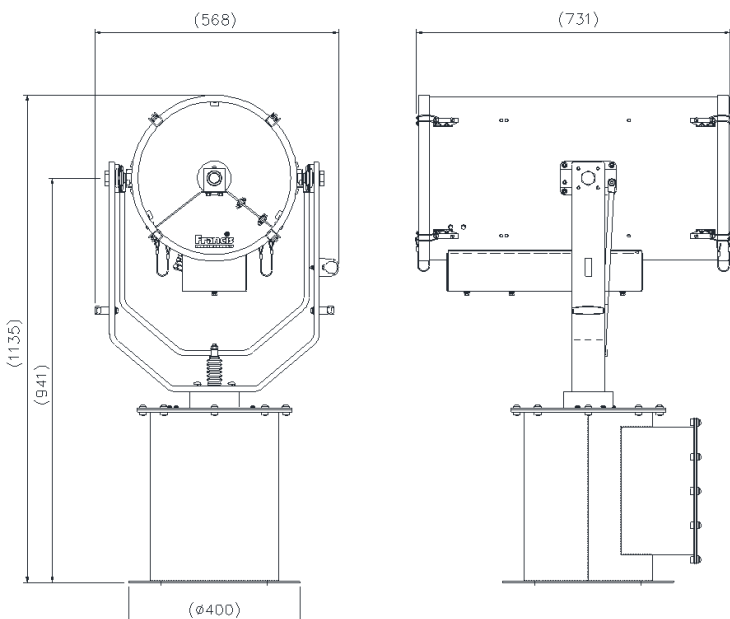
The Francis bus (FBUS) is a custom communication protocol based on RS485 two-wire bi-directional communication hardware.

## Information:

- Toughened super clear Optiwhite front glass.
- Instant re-strike. No "cooling" down time required.
- Parabolic glass reflector
- Marine grade materials and fixings.
- Powder coated and stove enamel paint finish.
- Variable speed, with auto home position.
- Dimmable control panel.
- Heater fitted in gearbox & barrel.
- Remote focus.
- Direct cable connection.

## Optional extras:

- Computer Control Software
- Azimuth LED Control Panel
- Master Control Panel (control up to 6 Searchlights)
- Slave Control Panels (with full control)
- Fiber Optic/TCP/IP Connections
- Flir Thermal camera



| Specification                                     |                                |
|---|--------------------------------|
| Input voltage:                                    | 110 VAC - 240 VAC 50/60Hz      |
| Input current:                                    | 18A Max – 9A Max               |
| Total power consumption:                          | 2500w Max 2200w Max            |
| H,W,D:  | 1135 x 568 x 731mm             |
| Weight:   | 59Kgs Searchlight; 22Kgs PSU   |
| Xenon power:                                      | 2Kw                            |
| Range @ 1 Lux:                                    | 7485m                          |
| Divergence:                                       | 1.5° - 10°                     |
| Lamp life (approx.)                               | 2400h                          |
| Colour temperature:                               | 6000K                          |
| Luminous flux:                                    | 75,000 lm                      |
| PBCP:   | 56,000 Mil                     |
| Pan rotation:                                     | 385°                           |
| Tilt elevation:                                   | +30° & -35°                    |
| Pan speed:  | 1 to 43°/sec                   |
| Tilt Speed:                                       | 1 to 14°/sec                   |
| IP rating:  | IP56                           |
| Operating temperature:                            | -20°C to +50°C (Optional -50°) |
| Base Fixings:                                     | 4 holes 12.5 Ø on a 350mm PCD  |
| Joystick Control Panel                            | 120x120mm (106 x 106mm cutout) |
| Part Numbers:                                     |                                |
| A7226 FX380RC 240v 2Kw Remote Control Searchlight |                                |
| A7227 FX380RC 115v 2Kw Remote Control Searchlight |                                |
| D20195 2Kw Xenon Lamp                             |                                |