

# L230 100w LED Searchlight Manual Operation

The Francis LED searchlight range continues to develop and offers an Efficiently and Environmentally Friendly alternative to traditional lamp sources.

Using the highest grade of LED, this range offers a high power output with low power consumption.

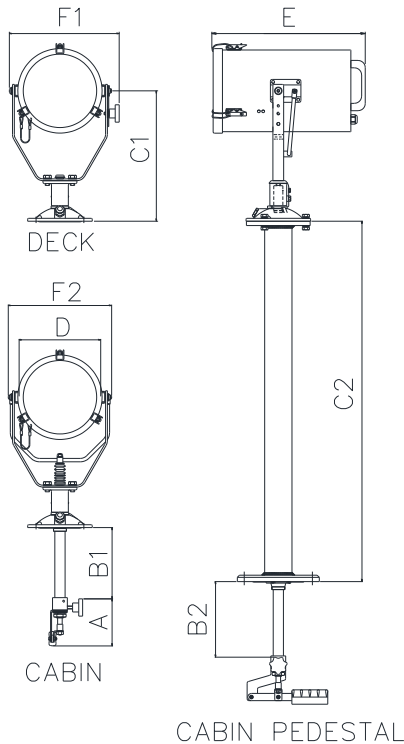
In addition, the 100w LED offers a lamp life of 30,000 hours.

As with all Francis products, the construction is robust and of the highest quality of construction. Utilizing excellent thermal management of the LED chip ensures successful performance and chip life.

The 100w LED gives illumination characteristics similar to that of a 1000w halogen lamp. This model offers a fixed focus with a 4° spot.

## Information:

- Toughened super clear Optiwhite front glass.
- Fresnel Lens.
- Marine grade materials and fixings.
- Powder coated and stove enamel paint finish.
- Special B1/2 & C2 dimensions available on request.



Specification		
Input voltage:	24v DC,	115-240v AC
Input current:	3A Max	1A Max
Total power consumption:	72w Max	240w
LED power:	100w	
Range @ 1 Lux:	1357m	
Divergence:	4°	
Lamp life (approx.)	30,000 h	
Colour temperature:	6500K	
Luminous flux:	7047 lumens	
Pan rotation:	450°	
Tilt elevation Deck/Ped:	±40°	
Tilt elevation Cabin/Ped:	+30° -25°	
IP rating:	IP66	
Operating temperature:	-20°C to +50°C	
Base Fixings:		
Deck & Cabin: 3 holes Ø11.0 on a 154 PCD		
Deck Ped & Cabin Ped: 4 holes Ø12.5 on a 190 PCD		
Cabin & Cabin Ped: Ø75 Centre Hole		
HV LED Driver Fixings: 4 off M4 Holes 239 x 165mm		
LV LED Driver Fixings: 4 off M4 Holes 346 x 239mm		
Part Numbers:		
A6253 L230D Deck 115/230v 100w LED Searchlight		
A6257 L230D Deck 24v 100w LED Searchlight		
C26355-01 Cabin Control Handle Assy		
C20719-39 Pedestal Assy		
C26356-01 Cabin Pedestal Handle Assy		

Dimensions & Weights:								
A	B1	B2	C1	C2	D	E	F1	F2
130	199	211	364	1004	230	428	307	289
Deck 12Kgs		Deck Ped 16Kgs		Cabin 14Kgs		Cabin Ped 20Kgs		
LV LED Driver Assy weight: 3Kgs				Dimensions: 361 x 254 x 111mm				
HV LED Driver Assy weight: 3Kgs				Dimensions: 180 x 254 x 90mm				