

L230 90w LED Searchlight Manual Operation

The Francis LED searchlight range continues to develop and offers an Efficiently and Environmentally Friendly alternative to traditional lamp sources.

Using the highest grade of CREE LED, this range offers a high power output with low power consumption. In addition, the CREE Series offer a lamp life of 40,000 hours.

As with all Francis products, the construction is robust and of the highest quality of construction.

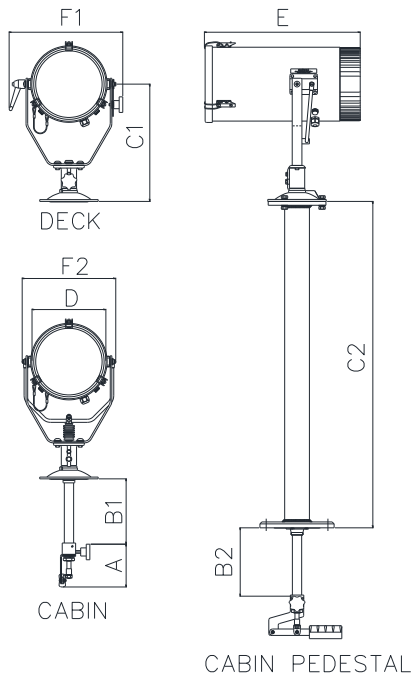
Utilizing excellent thermal management of the LED chip ensures successful performance and chip life.

The heat sink is integrated into the barrel construction.

The 90w LED gives illumination characteristics similar to that of a 500w halogen lamp.

Information:

- Toughened super clear Optiwhite front glass.
- Aluminum precision reflector.
- Marine grade materials and fixings.
- Powder coated and stove enamel paint finish.
- Special B1/2 & C2 dimensions available on request.



Specification		
Input voltage:	24v DC,	115-240v AC
Input current:	3.2A Max	1A Max
Total power consumption:	80w Max	240w
LED power:	90w	
Range @ 1 Lux:	823m	
Divergence:	8°	
LED life (approx.)	40000h	
Colour temperature:	6500K	
Luminous flux:	9855 lumens	
Pan rotation:	450°	
Tilt elevation Deck/Ped:	±40°	
Tilt elevation Cabin/Ped:	+30° -25°	
IP rating:	IP66	
Operating temperature:	-20°C to +50°C	
Base Fixings:		
Deck & Cabin: 3 holes Ø11.0 on a 154 PCD		
Deck Ped & Cabin Ped: 4 holes Ø12.5 on a 190 PCD		
Cabin & Cabin Ped: Ø75 Centre Hole		
LV LED Driver Dimensions: 4 off M4 holes 346 x 239mm		
HV LED Driver Dimensions: 4 off M4 holes 239 x 165mm		
Part Numbers:		
A6138 L230D Deck 115/230v 90w LED Searchlight		
A6144 L230D Deck 24v 90w LED Searchlight		
C26355-01 Cabin Control Handle Assy		
C20719-39 Pedestal Assy		
C26356-01 Cabin Pedestal Handle Assy		

Dimensions & Weights:								
A	B1	B2	C1	C2	D	E	F1	F2
130	199	211	361	1004	230	480	350	290
Deck 8Kgs		Deck Ped 13Kgs		Cabin 10Kgs		Cabin Ped 16Kgs		
LV LED Driver Assy weight: 3Kgs				Dimensions: 360 x 254 x 111mm				
HV LED Driver Assy weight: 3Kgs				Dimensions: 254 x 180 x 90mm				