

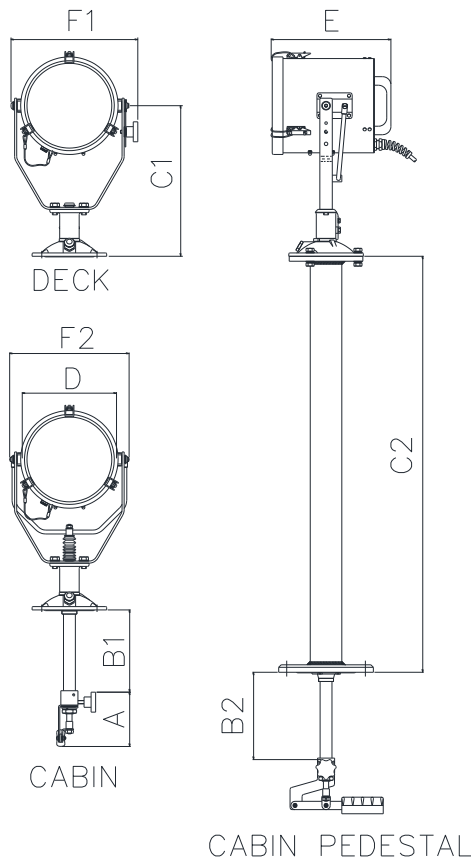
L230 Halogen Searchlight Manual Operation

The FRANCIS Lite range of searchlights incorporate the design features required to successfully operate searchlights in the most demanding product operating environments on land and sea.

The Lite range is a cost effective and well made range of searchlights with external focus adjustment. These units are particularly suitable for use on patrol craft, custom vessels and general marine applications.

Information:

- Toughened super clear Optiwhite front glass.
- Parabolic super pure aluminium reflector.
- Marine grade materials and fixings.
- Powder coated and stove enamel paint finish.
- Special B1/2 & C2 dimensions available on request.
- Optional Heater fitted in barrel.
- Light shield to prevent unwanted glare & stray light.



Specification		
Input voltage:	24v DC,	115-240v AC
Input current:	11A Max	2.6A Max
Total power consumption:	264w Max	300w
Halogen power:	150w, 250w, 300w	
Range @ 1 Lux:	784m, 1095m, 888m	
PBCP x 1000:	614, 1200, 790	
Divergence:	2.8°, 4.8°	
Lamp life (approx.)	75 - 300 h	
Colour temperature:	3000-3200K	
Luminous flux:	5,000 – 9,000 lumens	
Pan rotation:	450°	
Tilt elevation Deck/Ped:	±40°	
Tilt elevation Cabin/Ped:	+30° -25°	
IP rating:	IP67	
Operating temperature:	-20°C to +50°C	
Base Fixings:		
Deck & Cabin: 3 holes Ø11.0 on a 154 PCD		
Deck Ped & Cabin Ped: 4 holes Ø12.5 on a 190 PCD		
Cabin & Cabin Ped: Ø75 Centre Hole		
Part Numbers:		
A2914 L230D Deck 24/115v Halogen Searchlight		
A2627 L230D Deck 230v Halogen Searchlight		
C21168-01 Cabin Control Handle Assy		
C20719-79 Pedestal Assy		
C21169-01 Cabin Pedestal Handle Assy		
Optional Halogen Lamps:		
D14795 24v 150w	D9851 24v 250w	D16883 120v 300w
D16841 240v 300w	D23795 240v 300w	

Dimensions & Weights:								
A	B1	B2	C1	C2	D	E	F1	F2
130	199	211	364	1004	230	290	309	291
Deck 8Kgs		Deck Ped 13Kgs		Cabin 10Kgs		Cabin Ped 16Kgs		